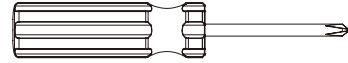
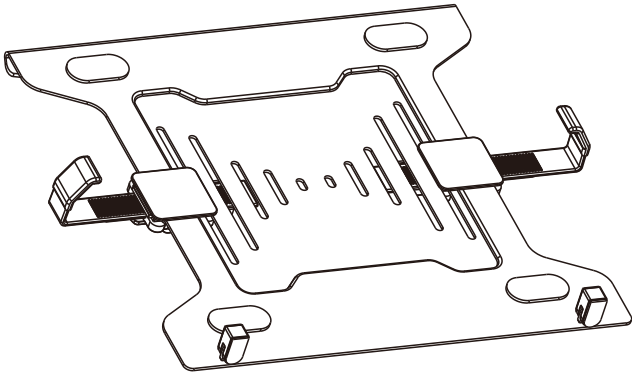


MOBIO MONITOR ARM LAPTOP TRAY LD

IMPORTANT: PLEASE READ ALL INSTRUCTIONS BEFORE STARTING ASSEMBLY.

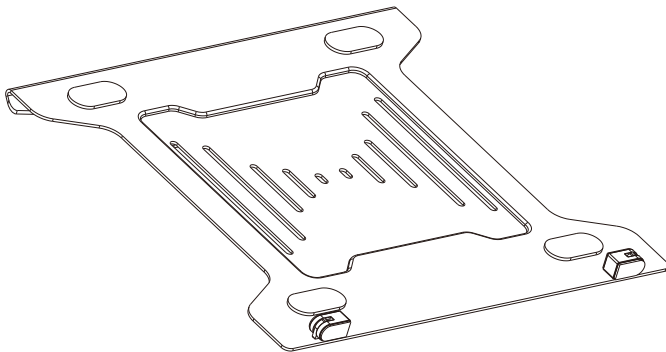
86-009077/86-009185

REQUIRED TOOLS

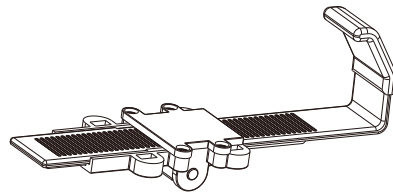


#2 Phillips Screwdriver

COMPONENTS



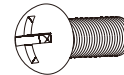
A(x1)



B(x2)



C(x2)

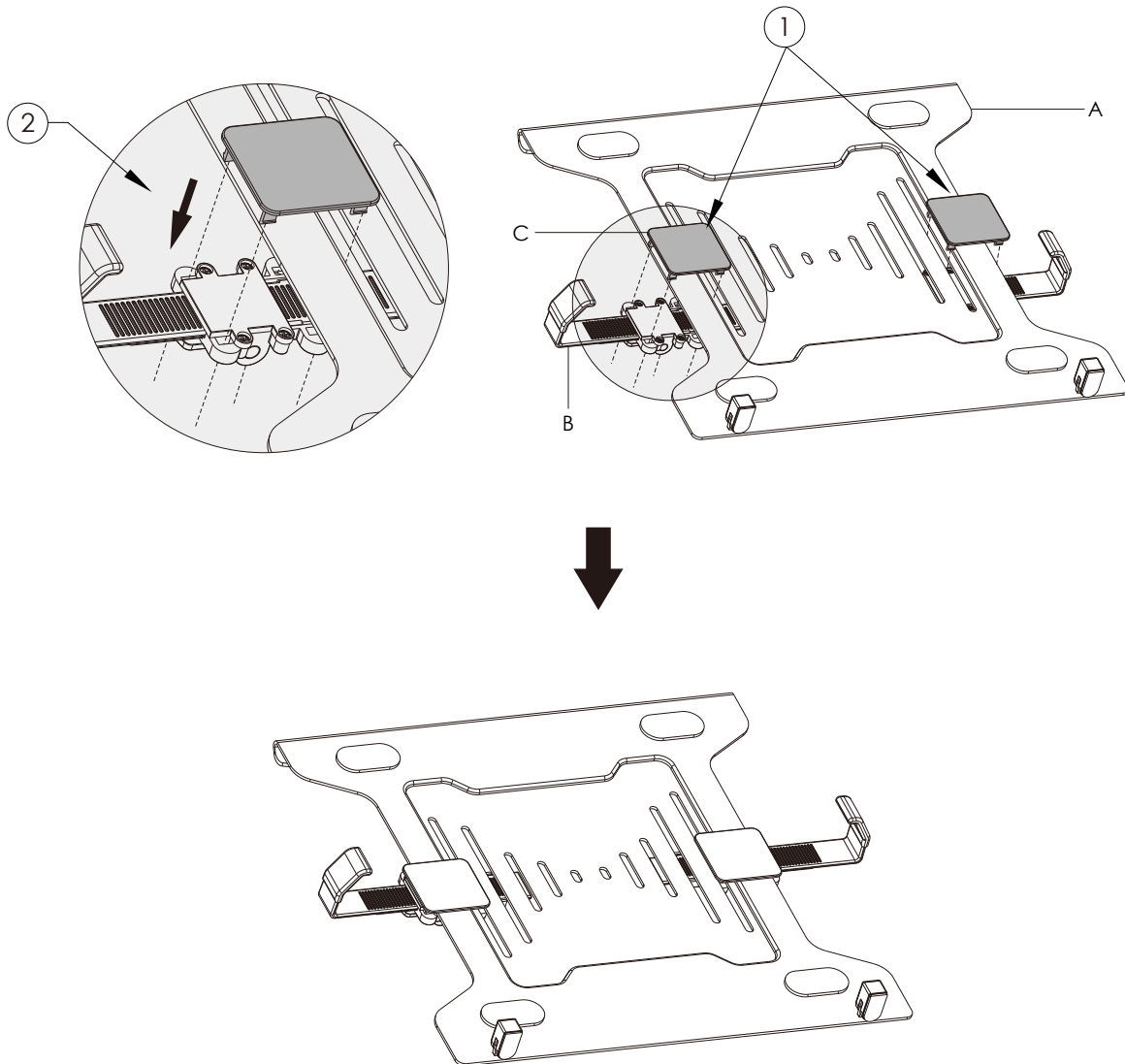


D(x4)

To report any issues with this product, please contact our customer service department at (888) 552-5699.

MOBIO MONITOR ARM LAPTOP TRAY LD

1

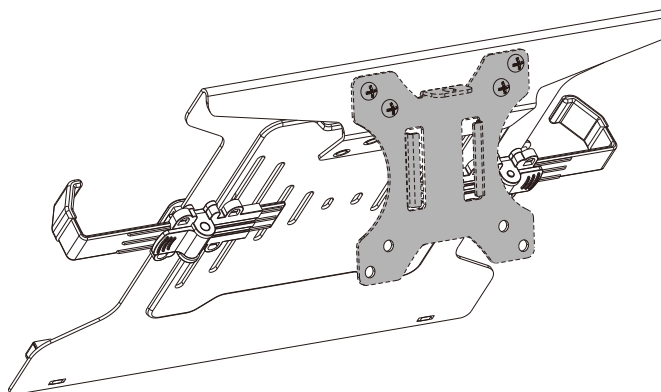
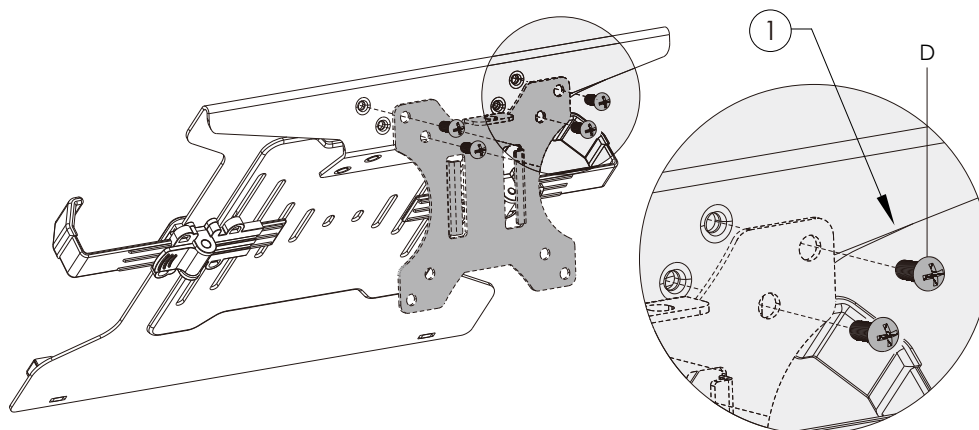
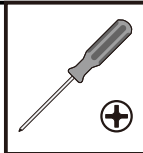


1. Place clamps on back side of tray in the desired position.
2. Align cover plates as shown and snap in place.

To report any issues with this product, please contact our customer service department at (888) 552-5699.

MOBIO MONITOR ARM LAPTOP TRAY LD

2

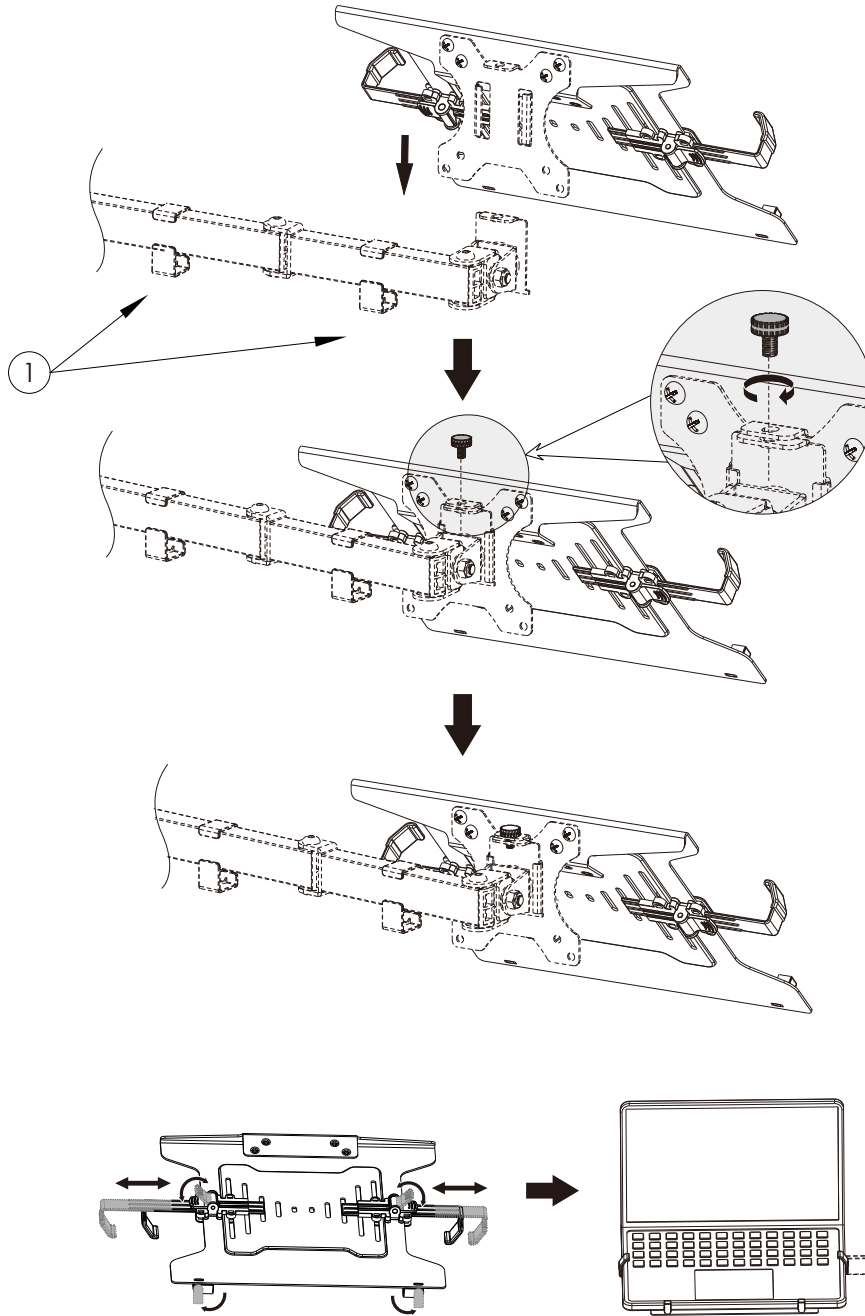


1. Align laptop tray with monitor arm plate (not included) and tighten 4 Phillips screws.

To report any issues with this product, please contact our customer service department at (888) 552-5699.

MOBIO MONITOR ARM LAPTOP TRAY LD

3



1. Position laptop tray as desired and hand tighten knob to secure tray on arm.

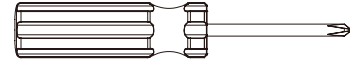
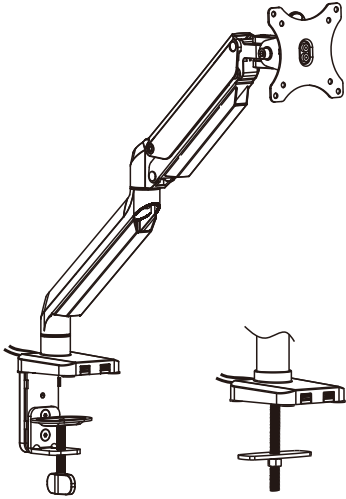
To report any issues with this product, please contact our customer service department at (888) 552-5699.

MOBIO MONITOR ARM, SINGLE, DESK MOUNT, USB

IMPORTANT: PLEASE READ ALL INSTRUCTIONS BEFORE STARTING ASSEMBLY.

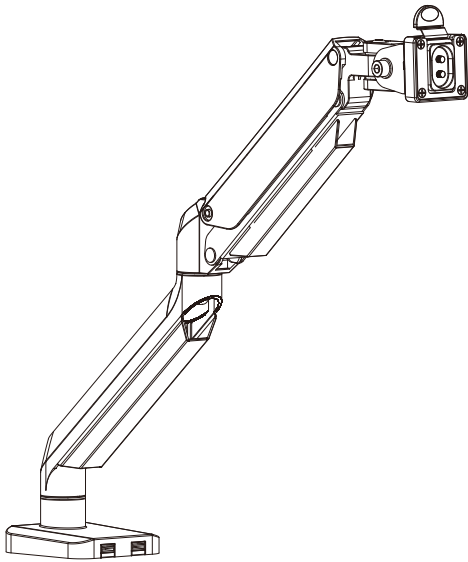
86-009061/86-009066

REQUIRED TOOLS



#2 Phillips Screwdriver

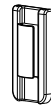
COMPONENTS



A(x1)



B(x1)



C(x1)



D(x1)



E(x1)



F(x4)



G(x1)



H(x1)



I(x1)



J(x1)



K(x1)



L(x2)



M(x3)



4mm(x1)
N



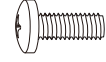
6mm(x1)
O



P(x1)



M4x12(x4)
M-A

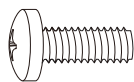


M5x12(x4)
M-B

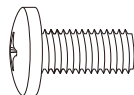


D5(x4)
M-C

1:1 SCALE



M4x12mm Screw
M-A



M5x12mm Screw
M-B

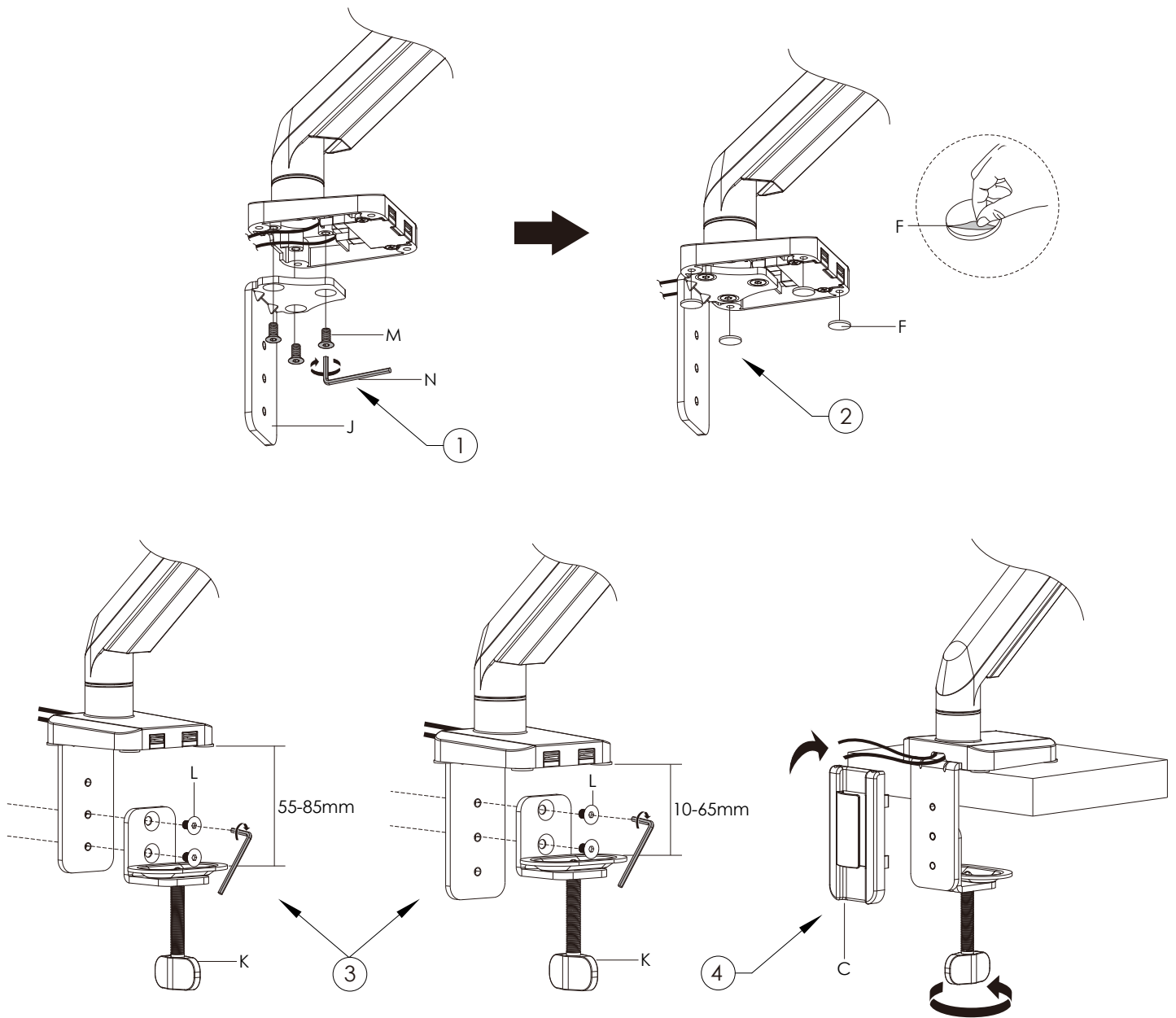


D5 Washer
M-C

To report any issues with this product, please contact our customer service department at (888) 552-5699.

MOBIO MONITOR ARM, SINGLE, DESK MOUNT, USB

1a TABLE EDGE MOUNTING



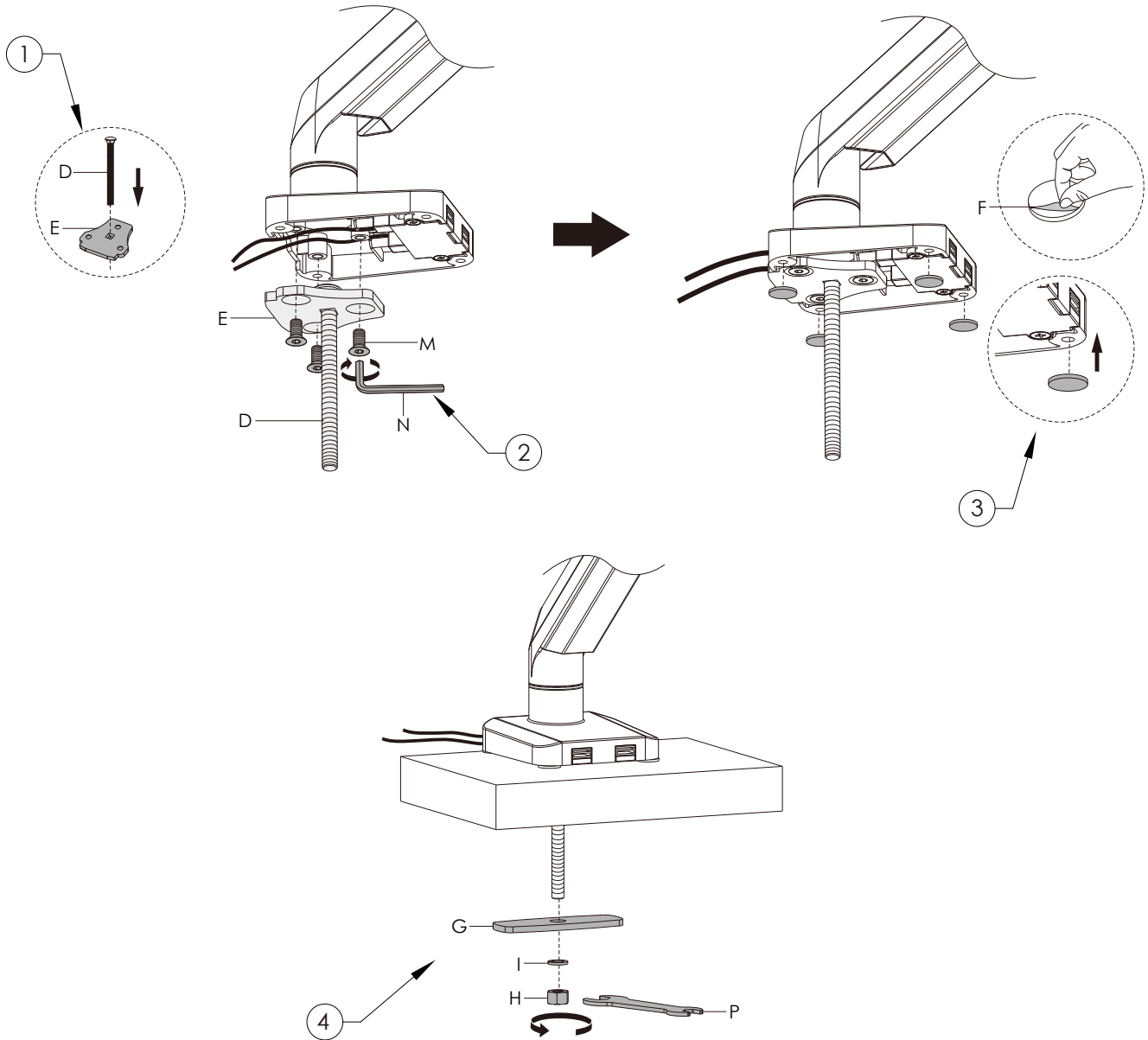
Note: Clamp position will change depending on table thickness.

1. Using the provided Allen wrench, fasten three flathead screws connecting the clamp plate to the underside of the pole.
2. After removing backing from pads, place them on corners of the base.
3. Using the provided Allen wrench, fasten 2 flathead screws connecting the clamp to the clamp plate.
4. Place cover on back of clamp plate and tuck cable in channel.

To report any issues with this product, please contact our customer service department at (888) 552-5699.

MOBIO MONITOR ARM, SINGLE, DESK MOUNT, USB

1b GROMMET MOUNTING

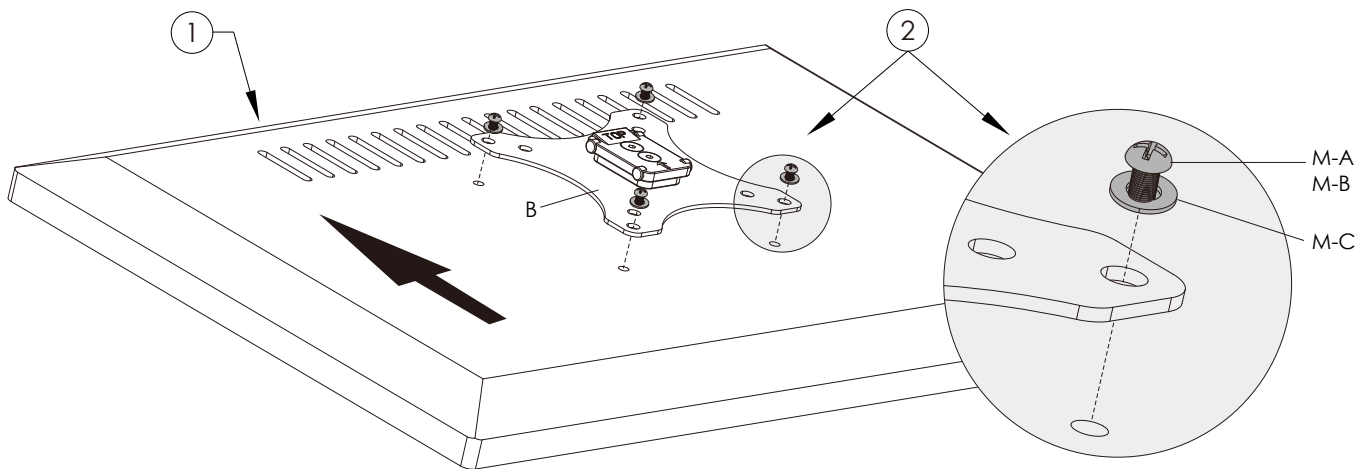


1. Place the long bolt through the clamp plate.
2. Using the provided Allen wrench, fasten three flathead screws connecting the clamp plate to the underside of the pole.
3. After removing backing from pads, place them on corners of the base.
4. Using the provided wrench tighten the nut, plate, and lock washer against surface.

To report any issues with this product, please contact our customer service department at (888) 552-5699.

MOBIO MONITOR ARM, SINGLE, DESK MOUNT, USB

2



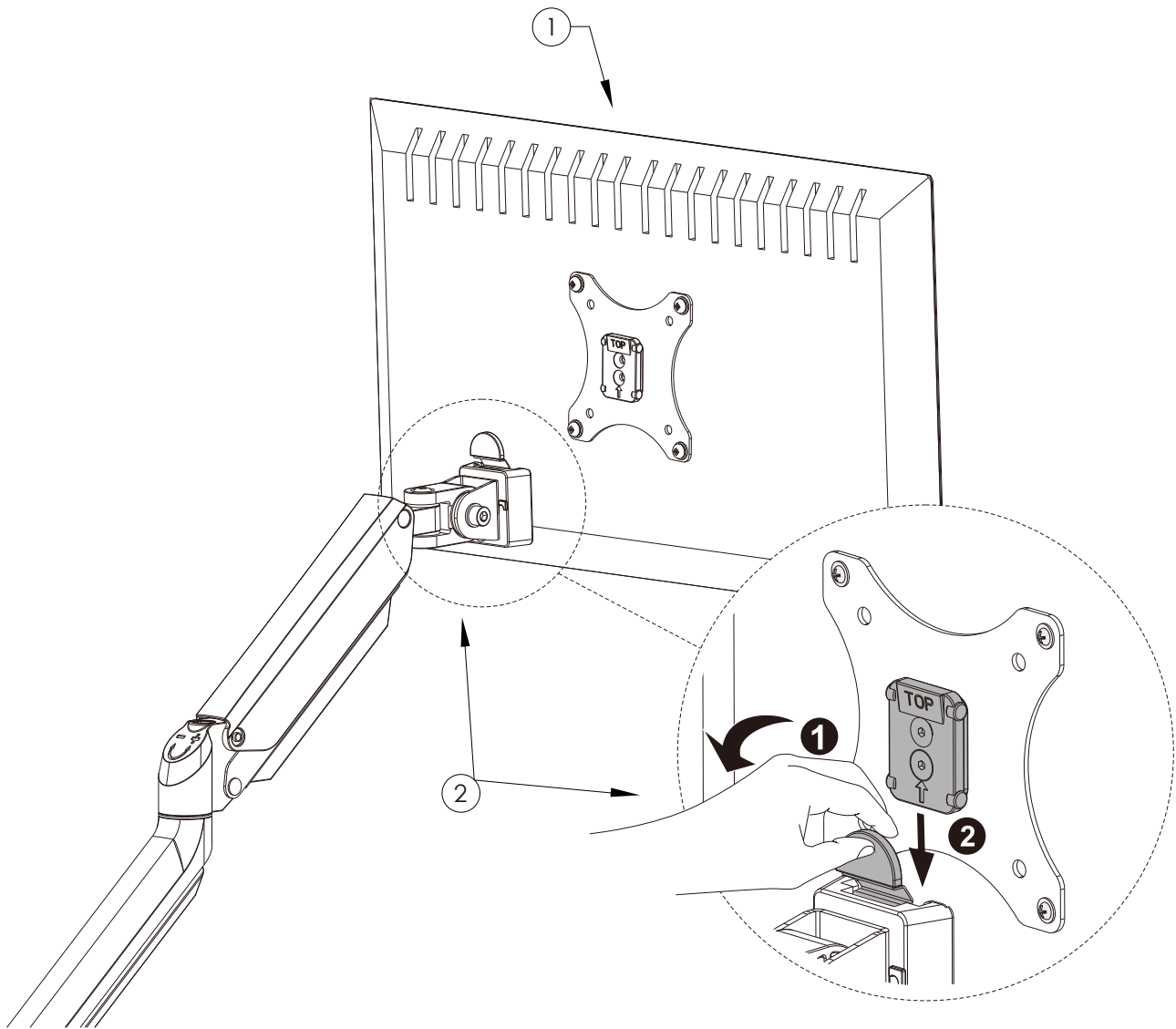
Note: Make sure to select correct length screw for monitor, failure to do so may cause damage to the monitor or cause monitor to dismount from plate.

1. Place the monitor on a flat surface (possibly a table with a soft towel to prevent scratches to the monitor screen)
2. Align the mounting plate on monitor and tighten the screws using a Phillips screwdriver.

To report any issues with this product, please contact our customer service department at (888) 552-5699.

MOBIO MONITOR ARM, SINGLE, DESK MOUNT, USB

3

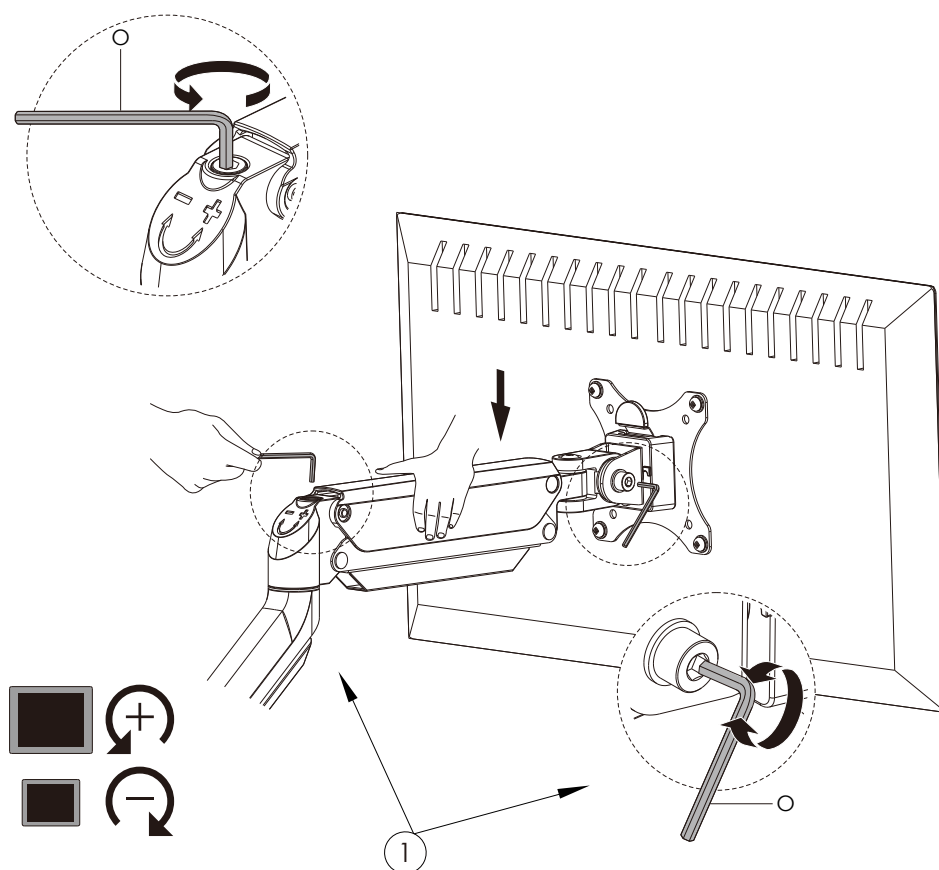


1. Using two hands, move monitor into position over end of arm.
2. While still holding monitor, have another person hold the spring open while sliding the monitor in place.

To report any issues with this product, please contact our customer service department at (888) 552-5699.

MOBIO MONITOR ARM, SINGLE, DESK MOUNT, USB

4

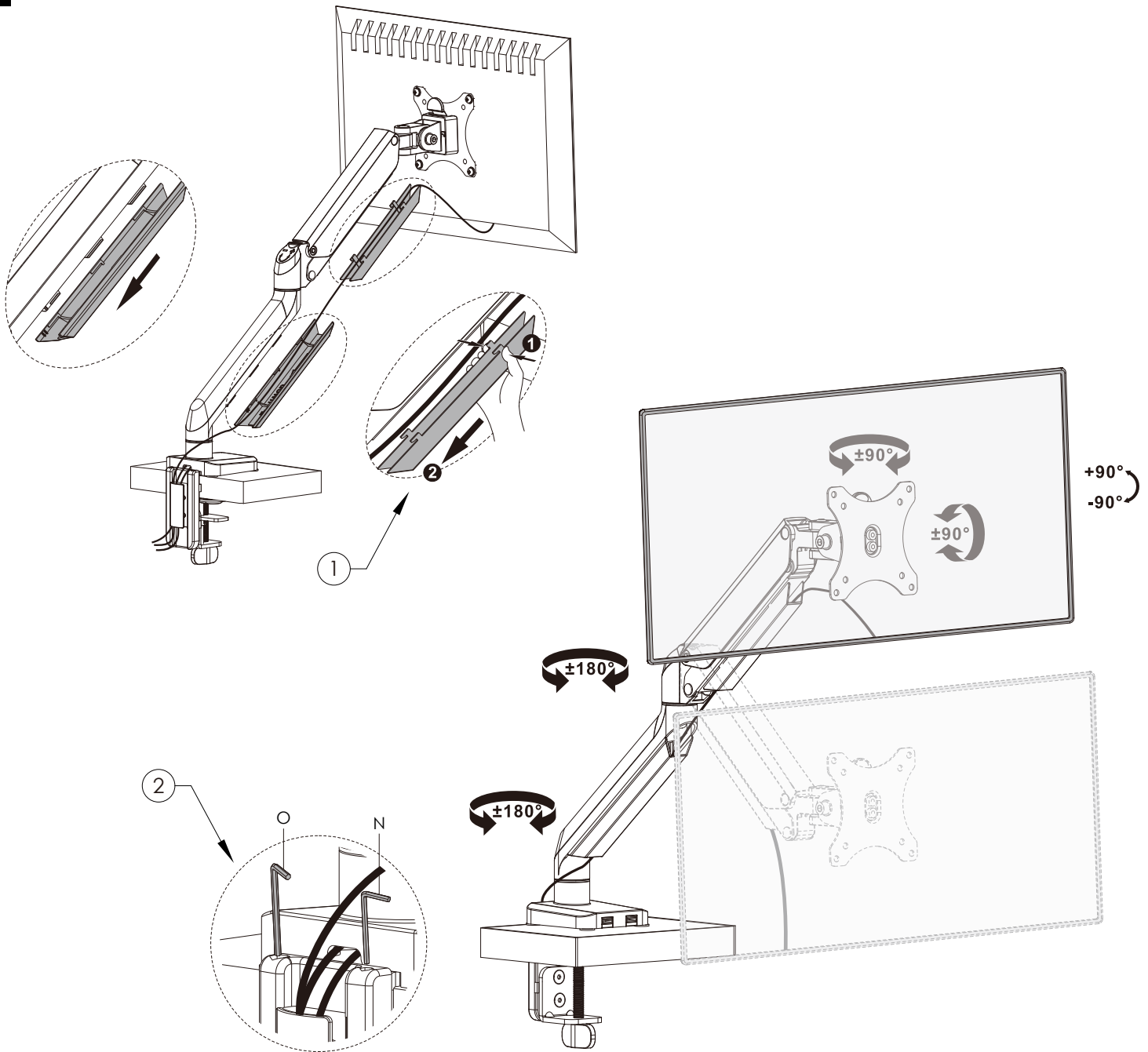


1. Depending on size of monitor, you may have to adjust the arm tension. Modify arm tension as shown.

To report any issues with this product, please contact our customer service department at (888) 552-5699.

MOBIO MONITOR ARM, SINGLE, DESK MOUNT, USB

5



1. Attach cable management covers after tucking cables through.
2. Insert Allen wrenches for adjusting tension into slots on back cover.

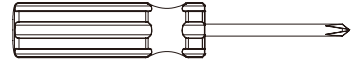
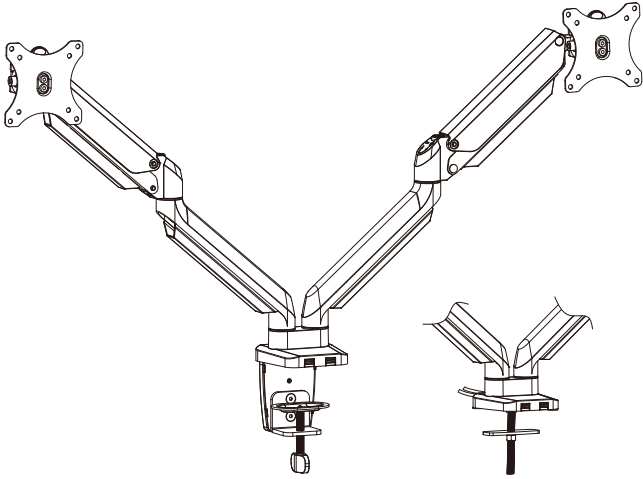
To report any issues with this product, please contact our customer service department at (888) 552-5699.

MOBIO MONITOR ARM, DUAL, DESK MOUNT, USB

IMPORTANT: PLEASE READ ALL INSTRUCTIONS BEFORE STARTING ASSEMBLY.

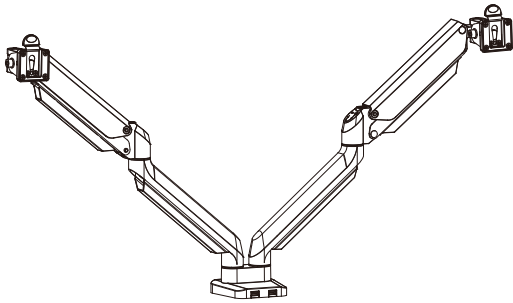
86-009062/86-009067

REQUIRED TOOLS

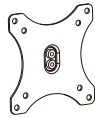


#2 Phillips Screwdriver

COMPONENTS



A(x1)



B(x2)



C(x1)



D(x1)



E(x1)



F(x4)



G(x1)



H(x1)



I(x1)



J(x1)



K(x1)



L(x2)



M(x3)



4mm(x1)
N



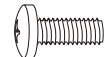
6mm(x1)
O



P(x1)



M4x12(x8)
M-A

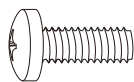


M5x12(x8)
M-B

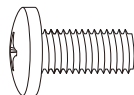


D5(x8)
M-C

1:1 SCALE



M4x12mm Screw
M-A



M5x12mm Screw
M-B

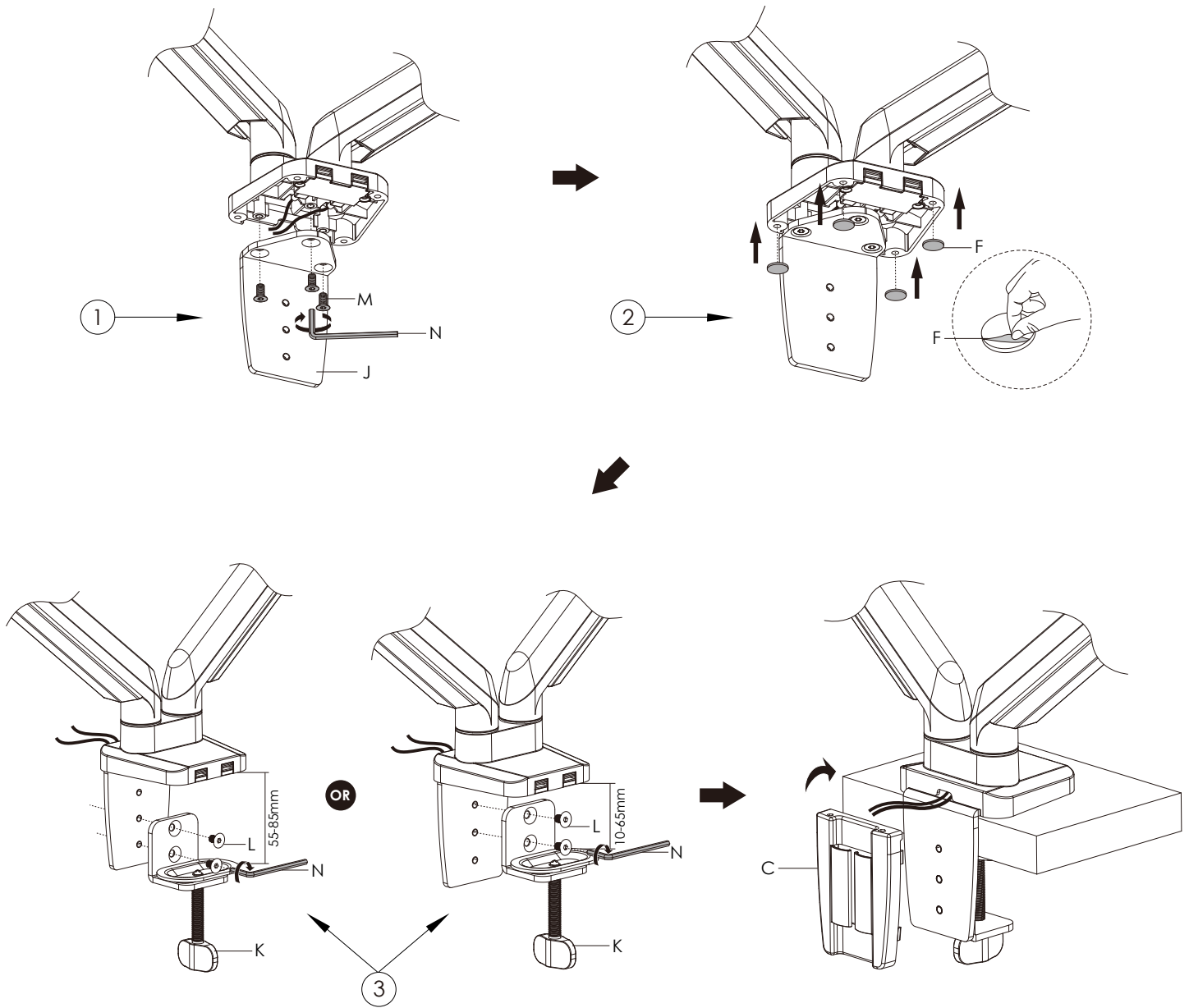


D5 Washer
M-C

To report any issues with this product, please contact our customer service department at (888) 552-5699.

MOBIO MONITOR ARM, DUAL, DESK MOUNT, USB

1a TABLE EDGE MOUNTING



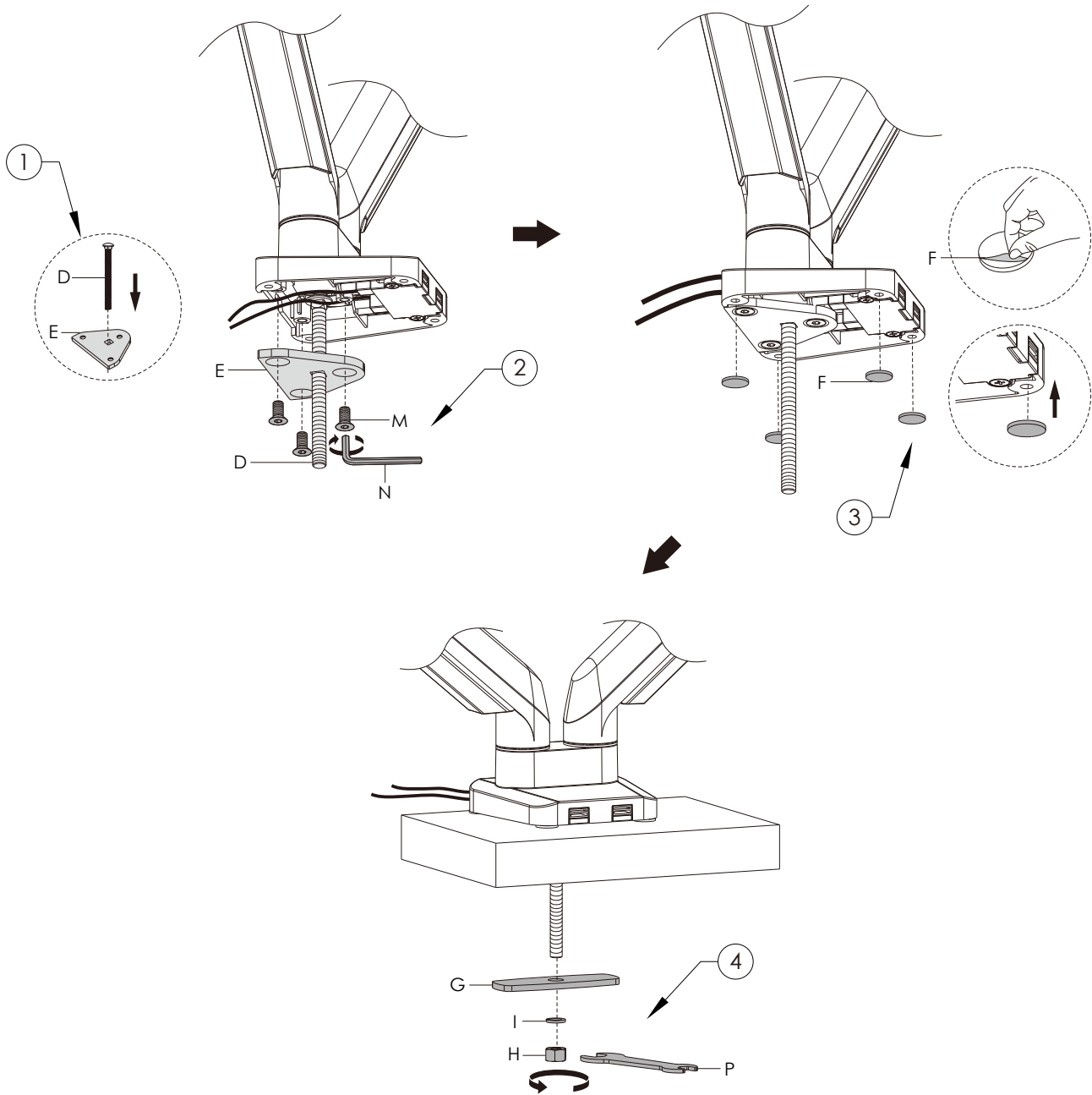
Note: Clamp position will change depending on table thickness.

1. Using the provided Allen wrench, fasten three flathead screws connecting the clamp plate to the underside of the pole.
2. After removing backing from pads, place them on corners of the base.
3. Using the provided Allen wrench, fasten 2 flathead screws connecting the clamp to the clamp plate.
4. Place cover on back of clamp plate and tuck cable in channel.

To report any issues with this product, please contact our customer service department at (888) 552-5699.

MOBIO MONITOR ARM, DUAL, DESK MOUNT, USB

1b GROMMET MOUNTING

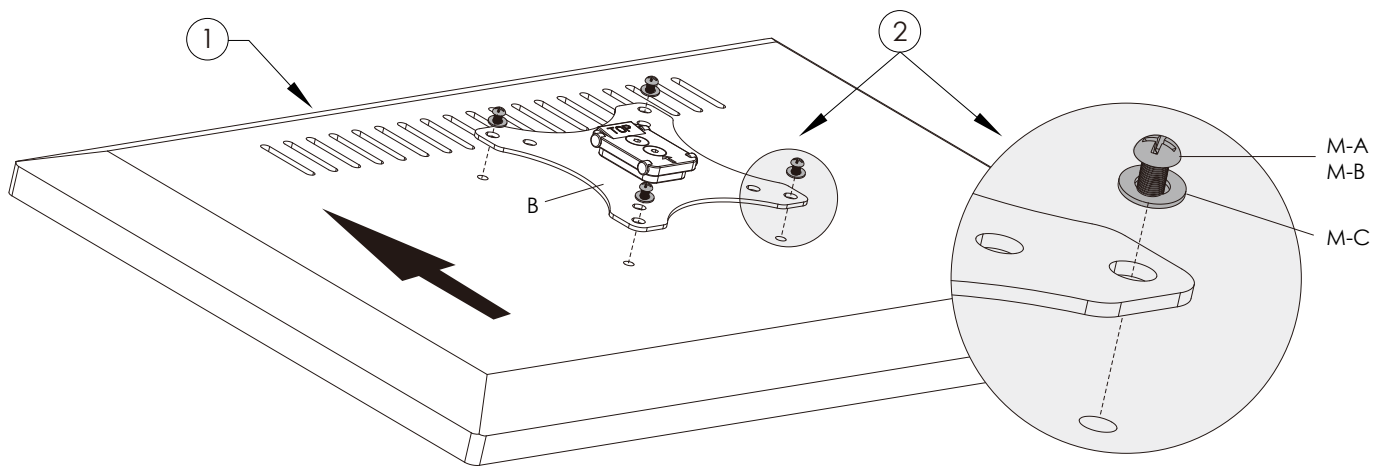


1. Place the long bolt through the clamp plate.
2. Using the provided Allen wrench, fasten three flathead screws connecting the clamp plate to the underside of the pole.
3. After removing backing from pads, place them on corners of the base.
4. Using the provided wrench tighten the nut, plate, and lock washer against surface.

To report any issues with this product, please contact our customer service department at (888) 552-5699.

MOBIO MONITOR ARM, DUAL, DESK MOUNT, USB

2



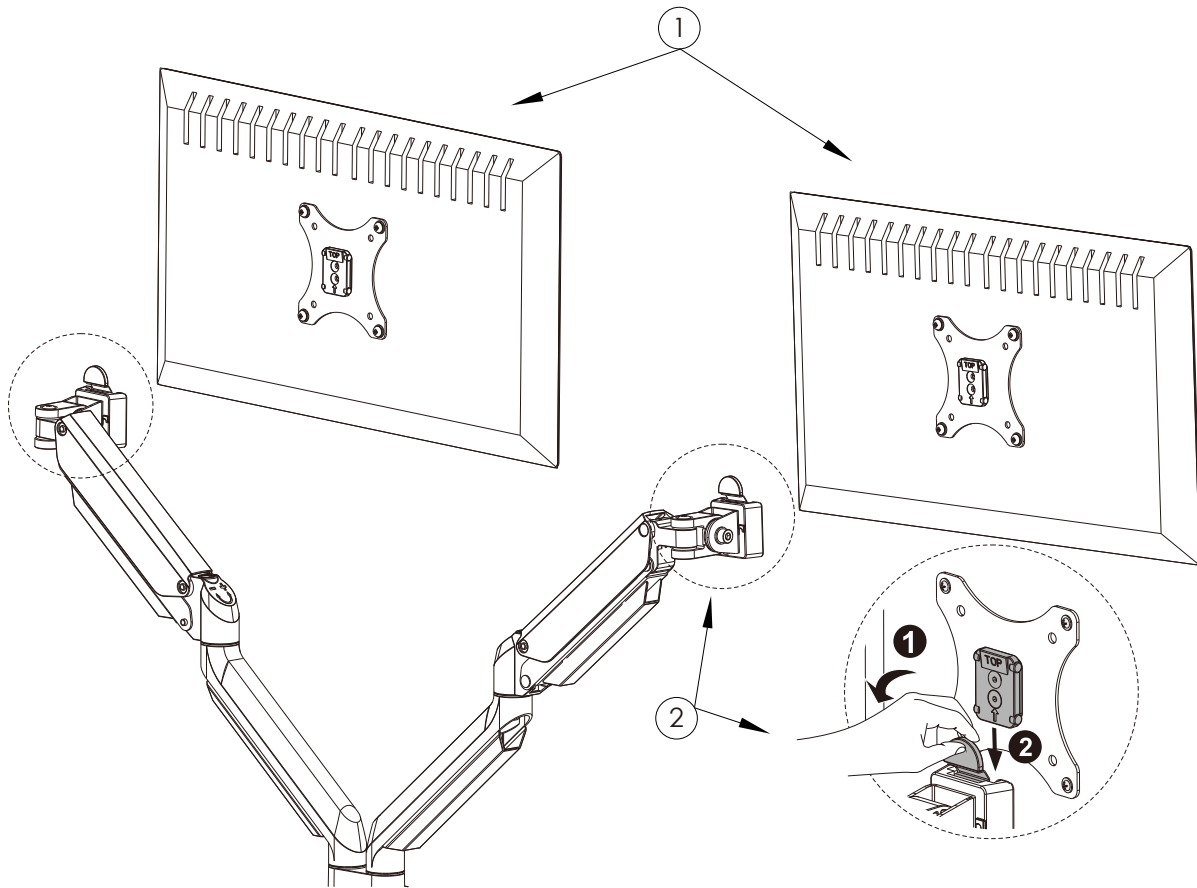
Note: Make sure to select correct length screw for monitor, failure to do so may cause damage to the monitor or cause monitor to dismount from plate.

1. Place the monitor on a flat surface (possibly a table with a soft towel to prevent scratches to the monitor screen)
2. Align the mounting plate on monitor and tighten the screws using a Phillips screwdriver.

To report any issues with this product, please contact our customer service department at (888) 552-5699.

MOBIO MONITOR ARM, DUAL, DESK MOUNT, USB

3

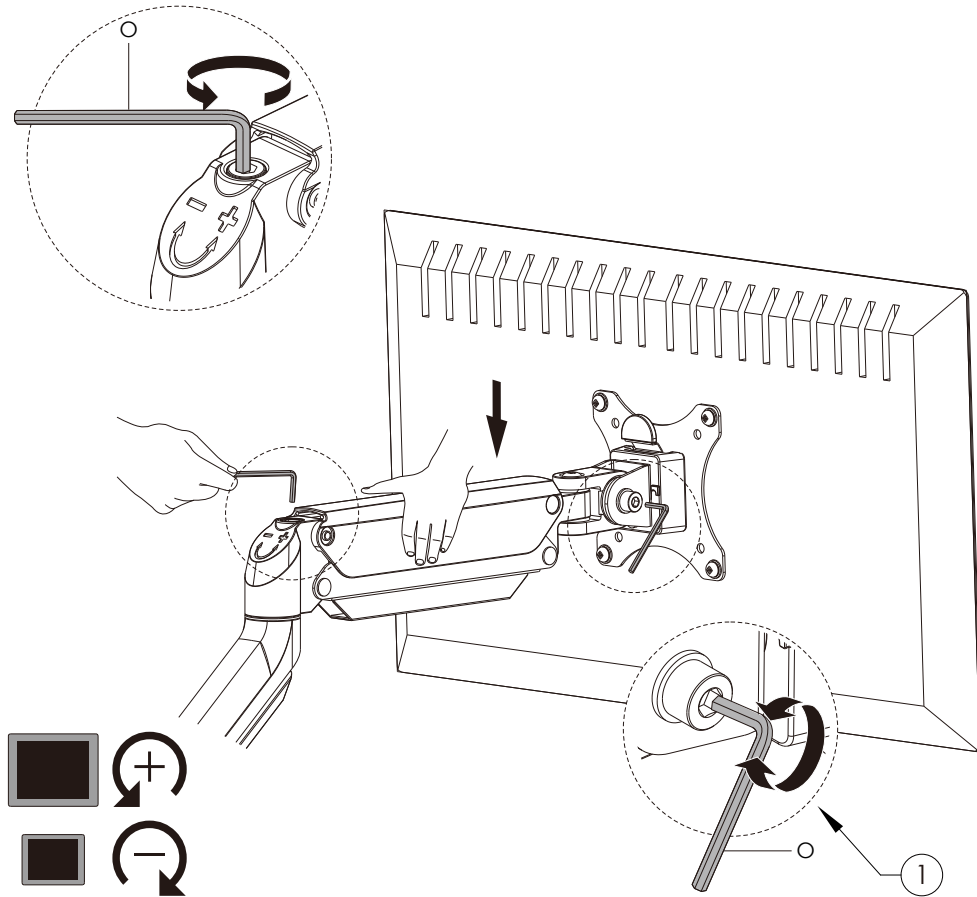


1. Using two hands, move monitor into position over end of arm.
2. While still holding monitor, have another person hold the spring open while sliding the monitor in place.

To report any issues with this product, please contact our customer service department at (888) 552-5699.

MOBIO MONITOR ARM, DUAL, DESK MOUNT, USB

4

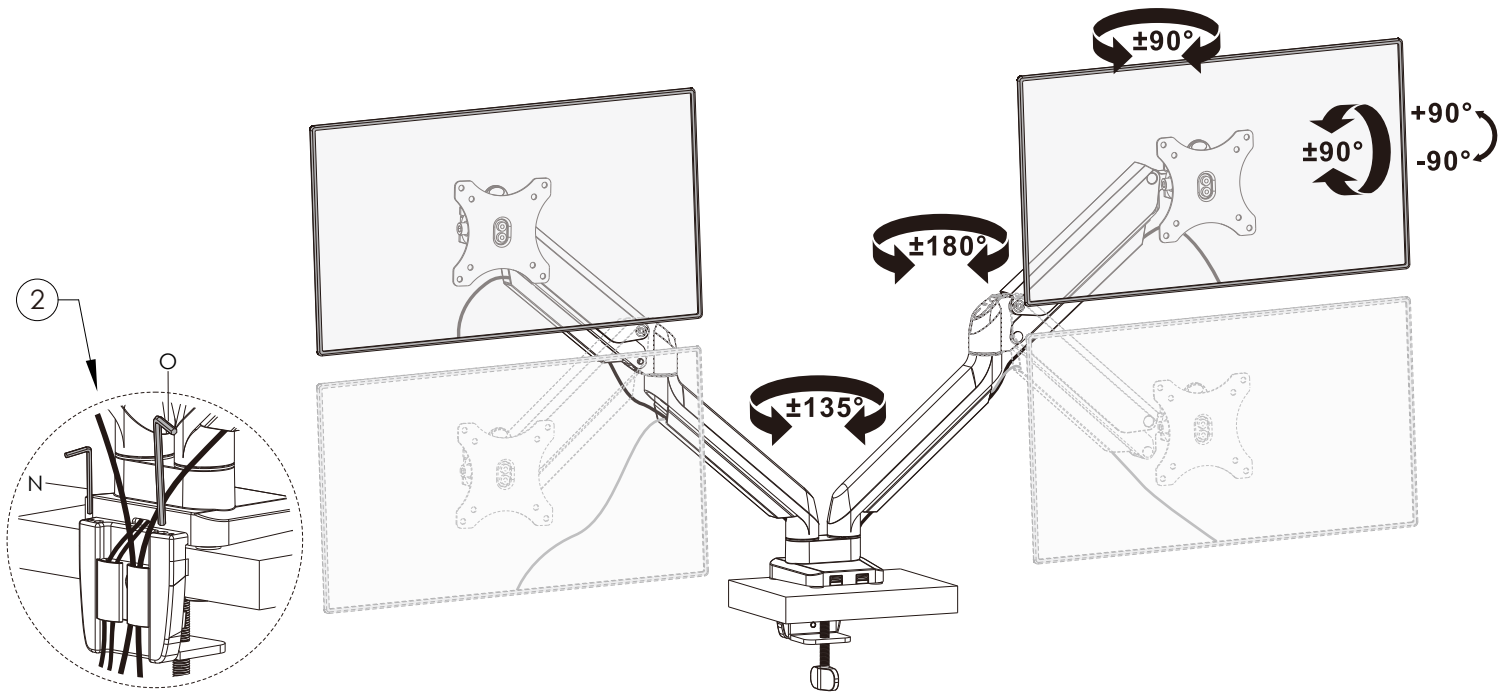
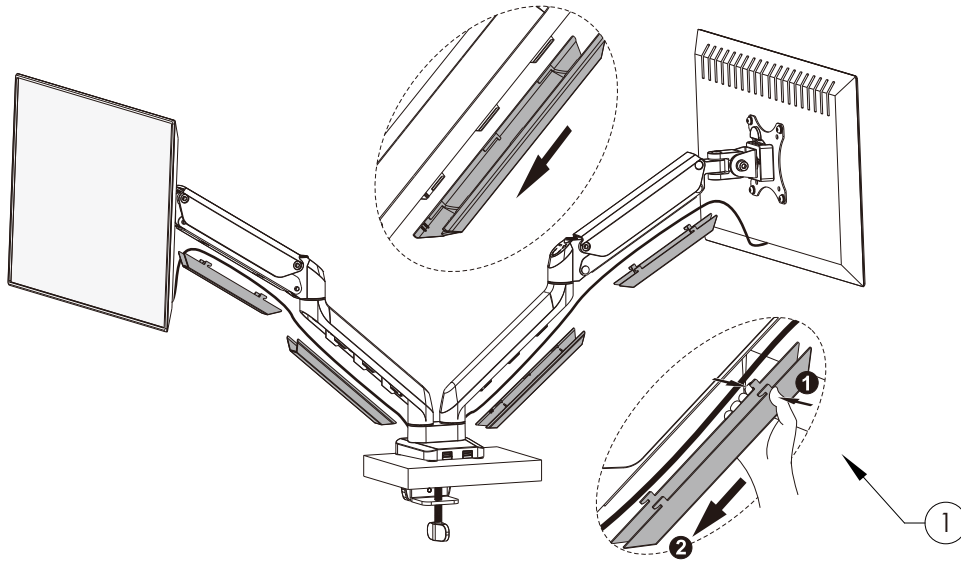


1. Depending on size of monitor, you may have to adjust the arm tension. Modify arm tension as shown.

To report any issues with this product, please contact our customer service department at (888) 552-5699.

MOBIO MONITOR ARM, DUAL, DESK MOUNT, USB

5



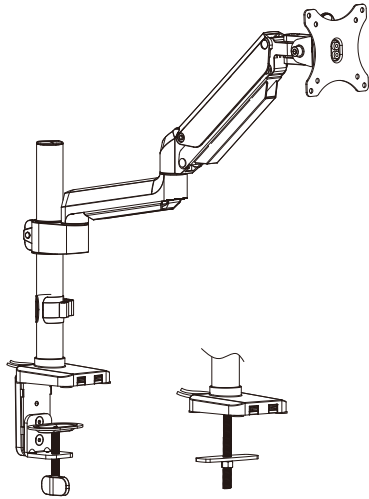
1. Attach cable management covers after tucking cables through.
2. Insert Allen wrenches for adjusting tension into slots on back cover.

To report any issues with this product, please contact our customer service department at (888) 552-5699.

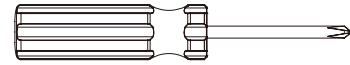
MOBIO MONITOR ARM, SINGLE, POLE MOUNT, USB

IMPORTANT: PLEASE READ ALL INSTRUCTIONS BEFORE STARTING ASSEMBLY.

86-009058/86-009063

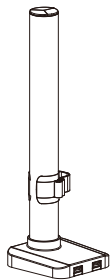


REQUIRED TOOLS



#2 Phillips Screwdriver

COMPONENTS



A(x1)



C(x1)



D(x1)



E(x1)



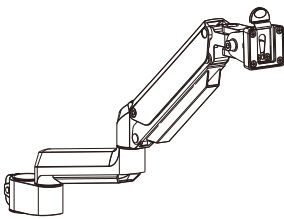
F(x1)



G(x4)



H(x1)



B(x1)



I(x1)



J(x1)



K(x1)



L(x1)



M(x2)



N(x3)



4mm(x1)
O



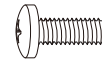
6mm(x1)
P



Q(x1)



M4x12(x4)
M-A

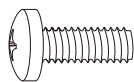


M5x12(x4)
M-B

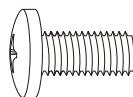


D5(x4)
M-C

1:1 SCALE



M4x12mm Screw
M-A



M5x12mm Screw
M-B

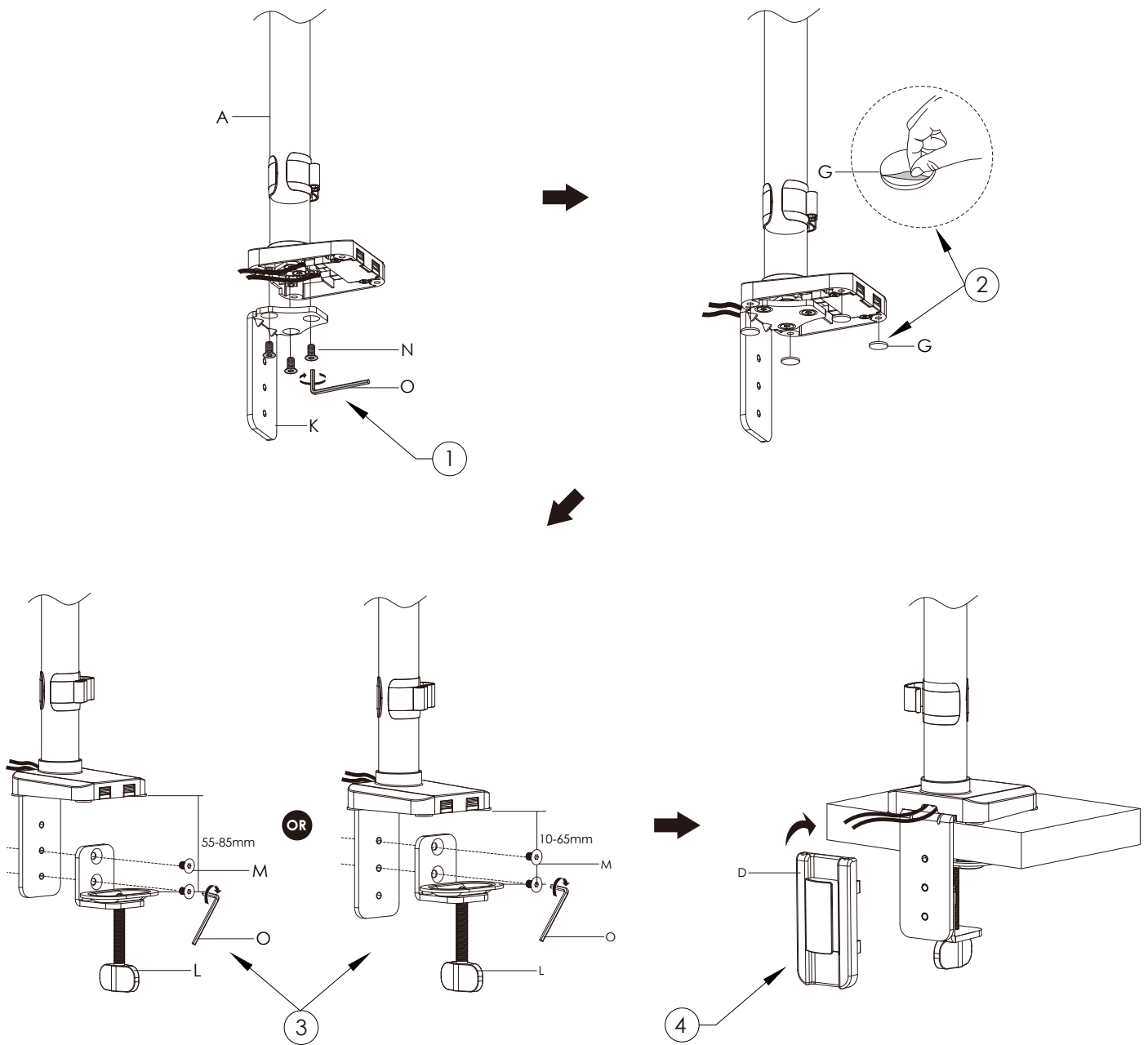


D5 Washer
M-C

To report any issues with this product, please contact our customer service department at (888) 552-5699.

MOBIO MONITOR ARM, SINGLE, POLE MOUNT, USB

1a TABLE EDGE MOUNTING



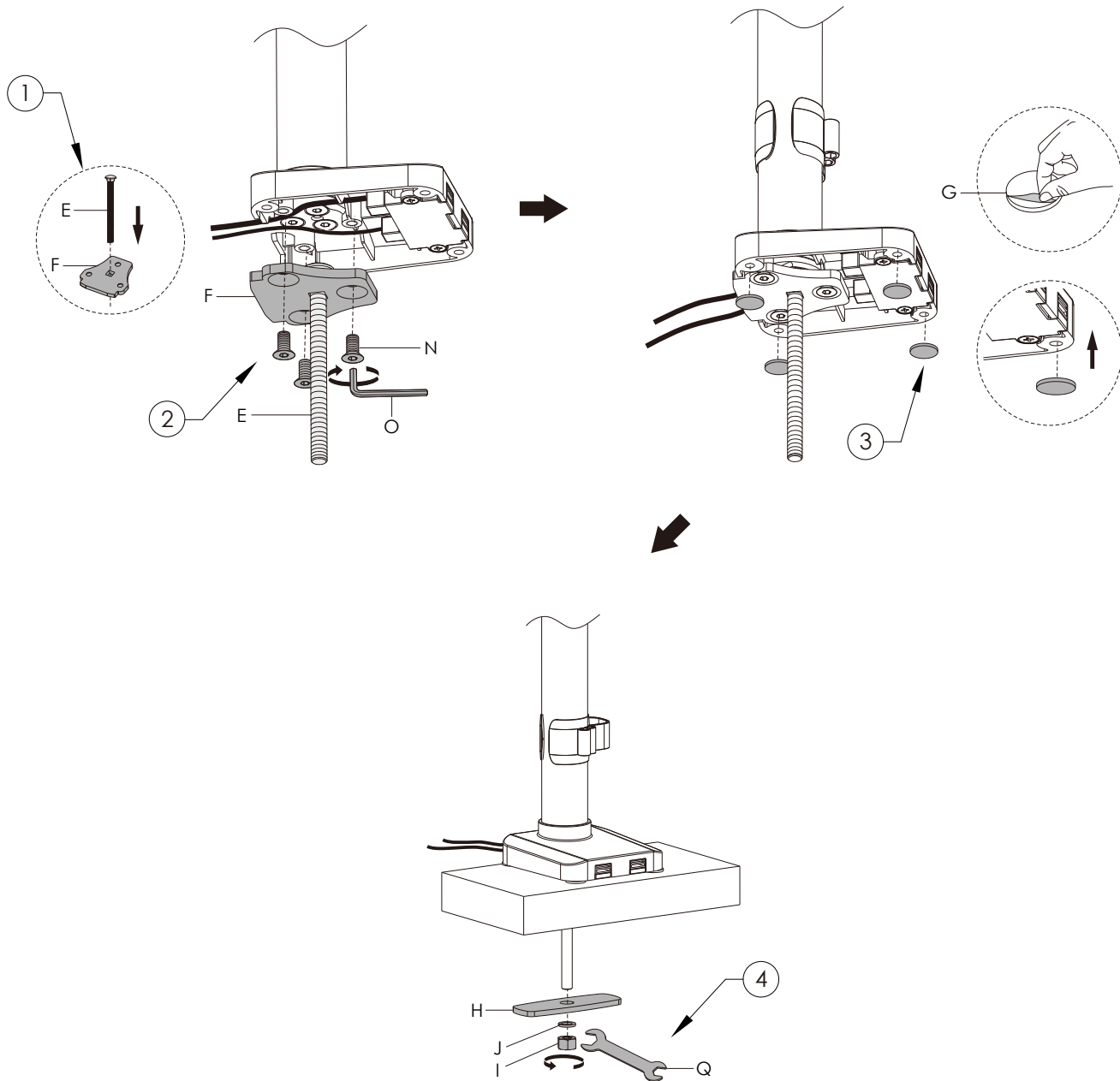
Note: Clamp position will change depending on table thickness.

1. Using the provided Allen wrench, fasten three flathead screws connecting the clamp plate to the underside of the pole.
2. After removing backing from pads, place them on corners of the base.
3. Using the provided Allen wrench, fasten 2 flathead screws connecting the clamp to the clamp plate.
4. Place cover on back of clamp plate and tuck cable in channel.

To report any issues with this product, please contact our customer service department at (888) 552-5699.

MOBIO MONITOR ARM, SINGLE, POLE MOUNT, USB

1b GROMMET MOUNTING

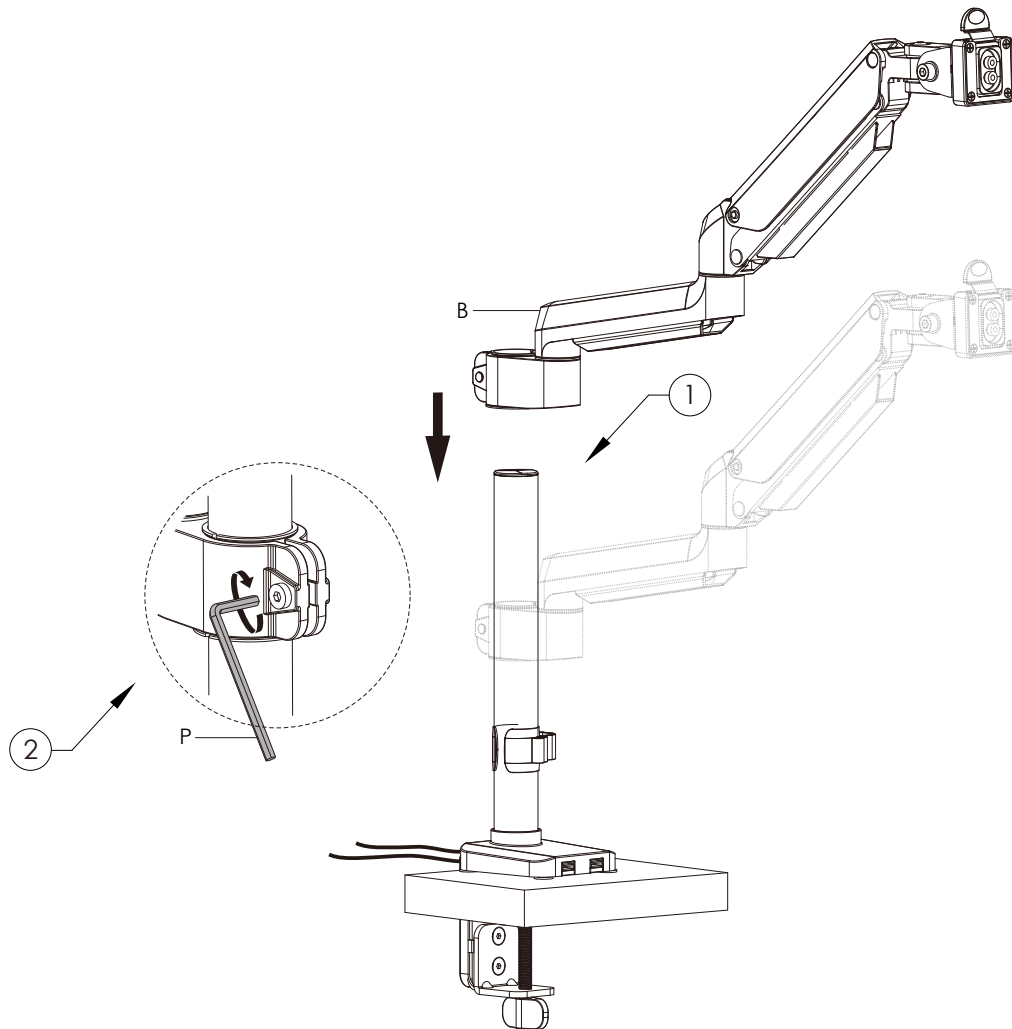


1. Place the long bolt through the clamp plate.
2. Using the provided Allen wrench, fasten three flathead screws connecting the clamp plate to the underside of the pole.
3. After removing backing from pads, place them on corners of the base.
4. Using the provided wrench tighten the nut, plate, and lock washer against surface.

To report any issues with this product, please contact our customer service department at (888) 552-5699.

MOBIO MONITOR ARM, SINGLE, POLE MOUNT, USB

2

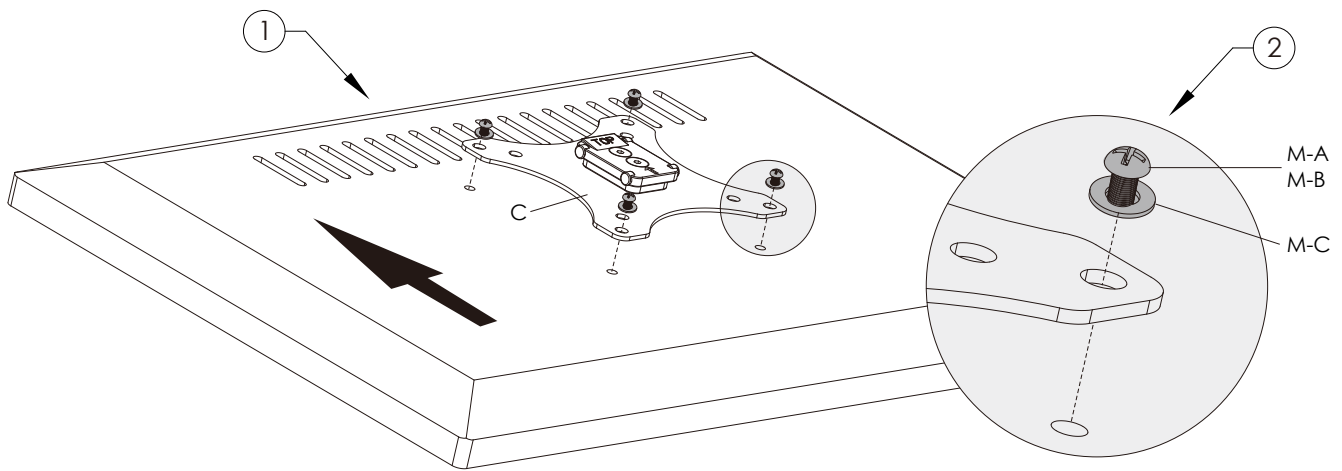


1. Slide monitor arm onto pole.
2. Using the provided Allen wrench, tighten the screw when the monitor arm is at the desired height and position.

To report any issues with this product, please contact our customer service department at (888) 552-5699.

MOBIO MONITOR ARM, SINGLE, POLE MOUNT, USB

3



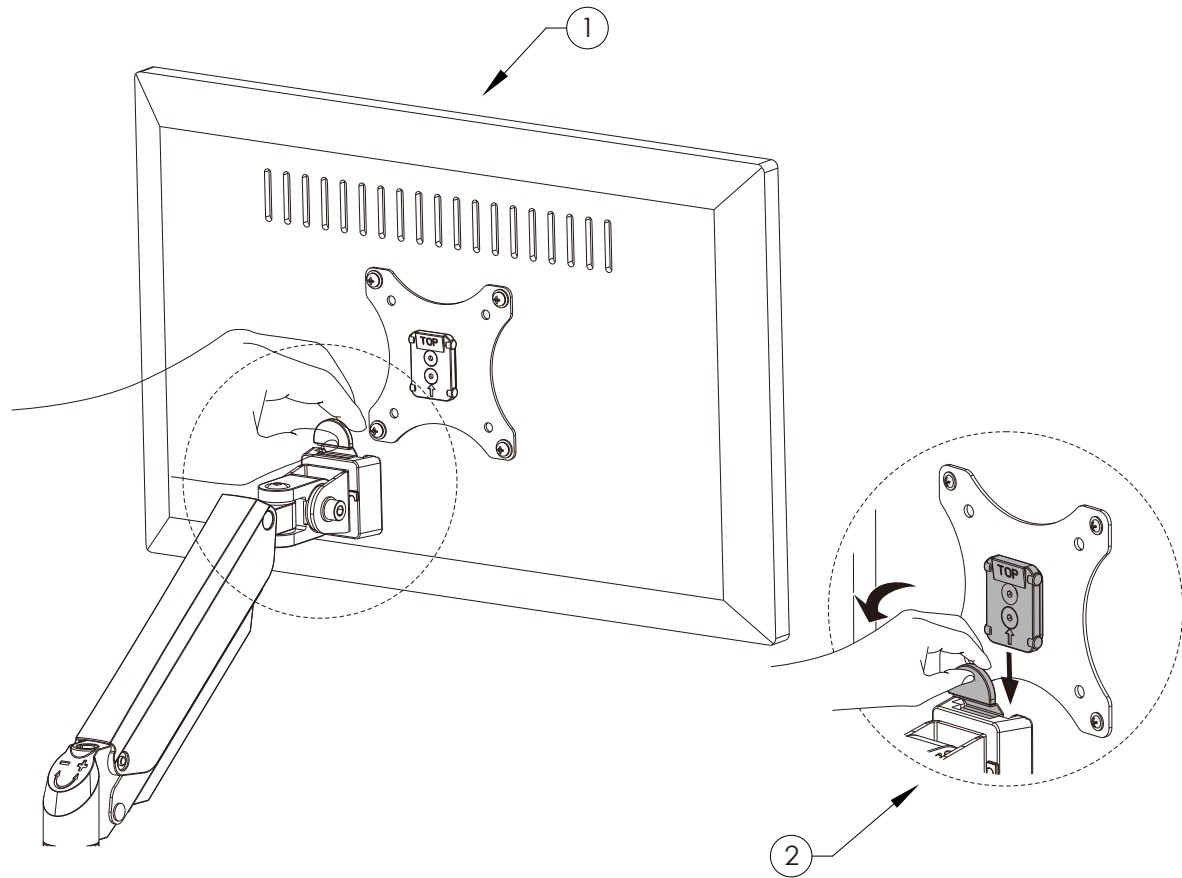
Note: Make sure to select correct length screw for monitor, failure to do so may cause damage to the monitor or cause monitor to dismount from plate.

1. Place the monitor on a flat surface (possibly a table with a soft towel to prevent scratches to the monitor screen)
2. Align the mounting plate on monitor and tighten the screws using a Phillips screwdriver.

To report any issues with this product, please contact our customer service department at (888) 552-5699.

MOBIO MONITOR ARM, SINGLE, POLE MOUNT, USB

4

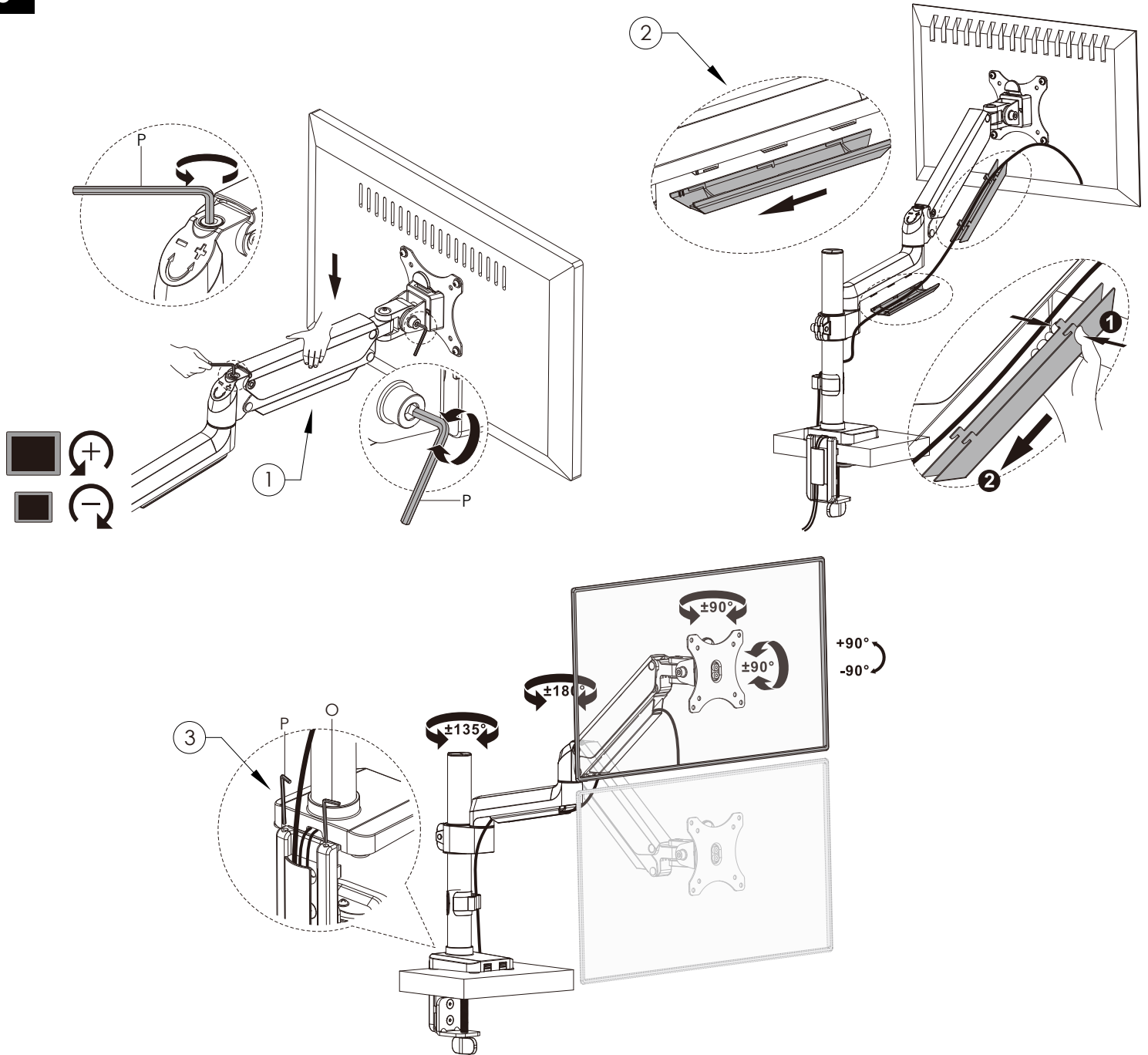


1. Using two hands, move monitor into position over end of arm.
2. While still holding monitor, have another person hold the spring open while sliding the monitor in place.

To report any issues with this product, please contact our customer service department at (888) 552-5699.

MOBIO MONITOR ARM, SINGLE, POLE MOUNT, USB

5



1. Depending on size of monitor, you may have to adjust the arm tension. Modify arm tension as shown.
2. Attach cable management covers after tucking cables through.
3. Insert Allen wrenches for adjusting tension into slots on back cover.

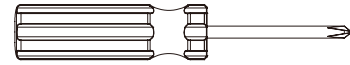
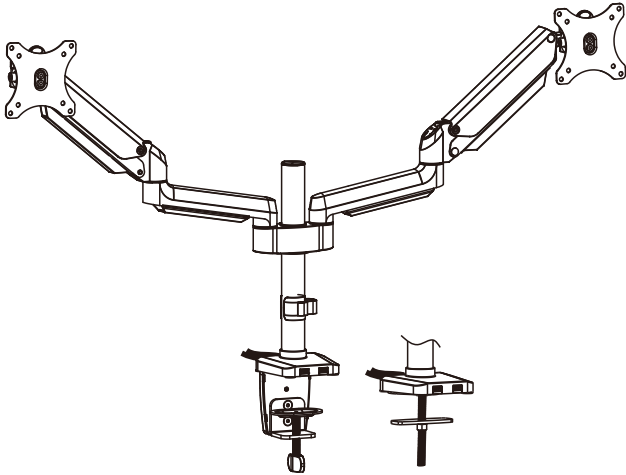
To report any issues with this product, please contact our customer service department at (888) 552-5699.

MOBIO MONITOR ARM, DUAL, POLE MOUNT, USB

IMPORTANT: PLEASE READ ALL INSTRUCTIONS BEFORE STARTING ASSEMBLY.

86-009059/86-009064

REQUIRED TOOLS



#2 Phillips Screwdriver

COMPONENTS



A(x1)



C(x2)



D(x1)



E(x1)



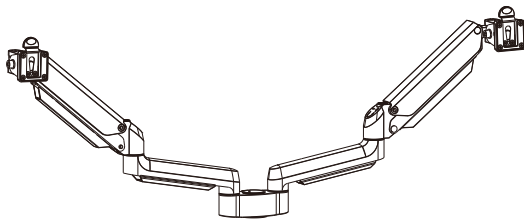
F(x1)



G(x4)



H(x1)



B(x1)



I(x1)



J(x1)



K(x1)



L(x1)



M(x2)



N(x3)



4mm(x1)
O



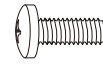
6mm(x1)
P



Q(x1)



M4x12(x8)
M-A

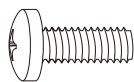


M5x12(x8)
M-B

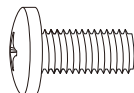


D5(x8)
M-C

1:1 SCALE



M4x12mm Screw
M-A



M5x12mm Screw
M-B

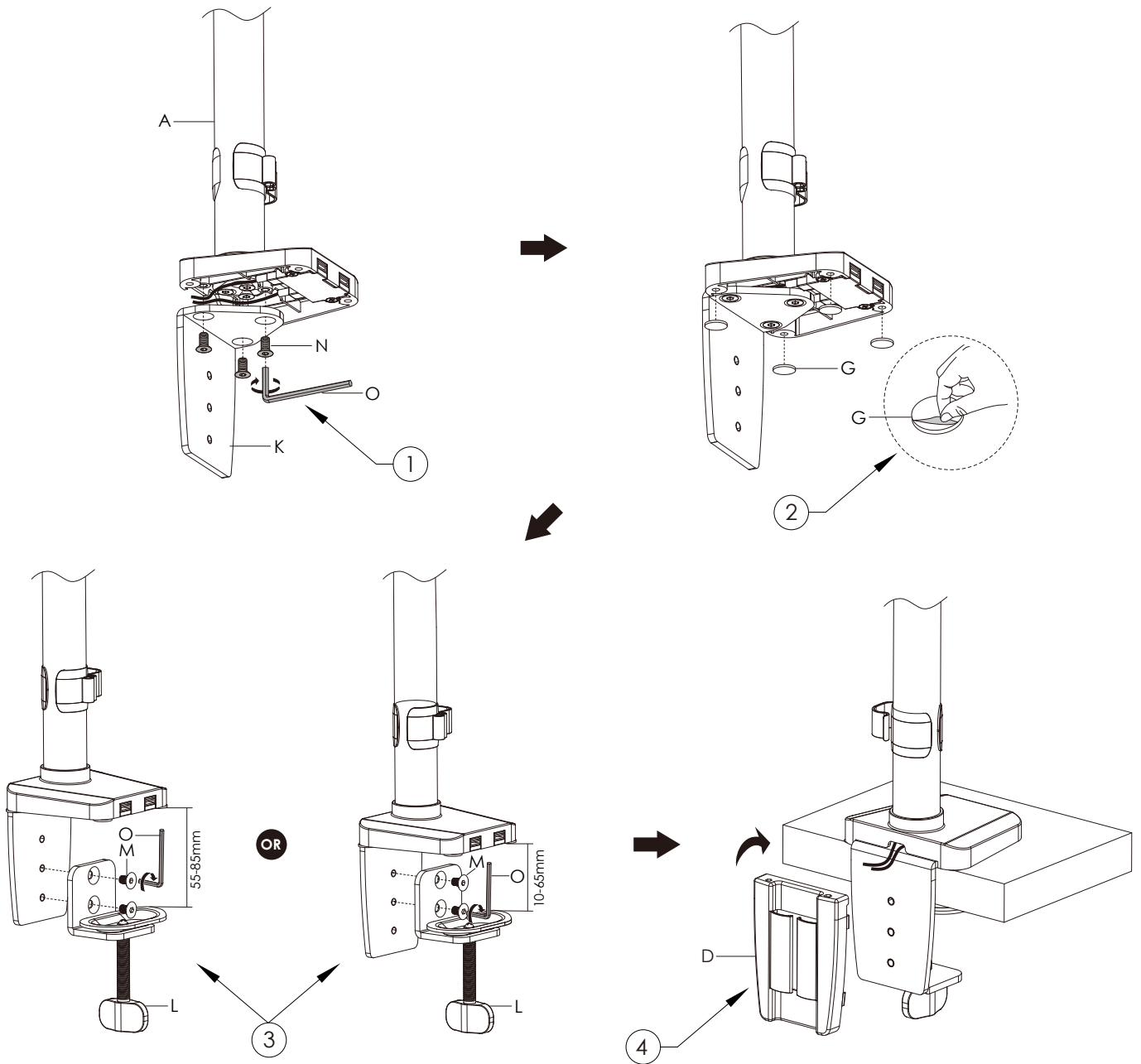


D5 Washer
M-C

To report any issues with this product, please contact our customer service department at (888) 552-5699.

MOBIO MONITOR ARM, DUAL, POLE MOUNT, USB

1a TABLE EDGE MOUNTING



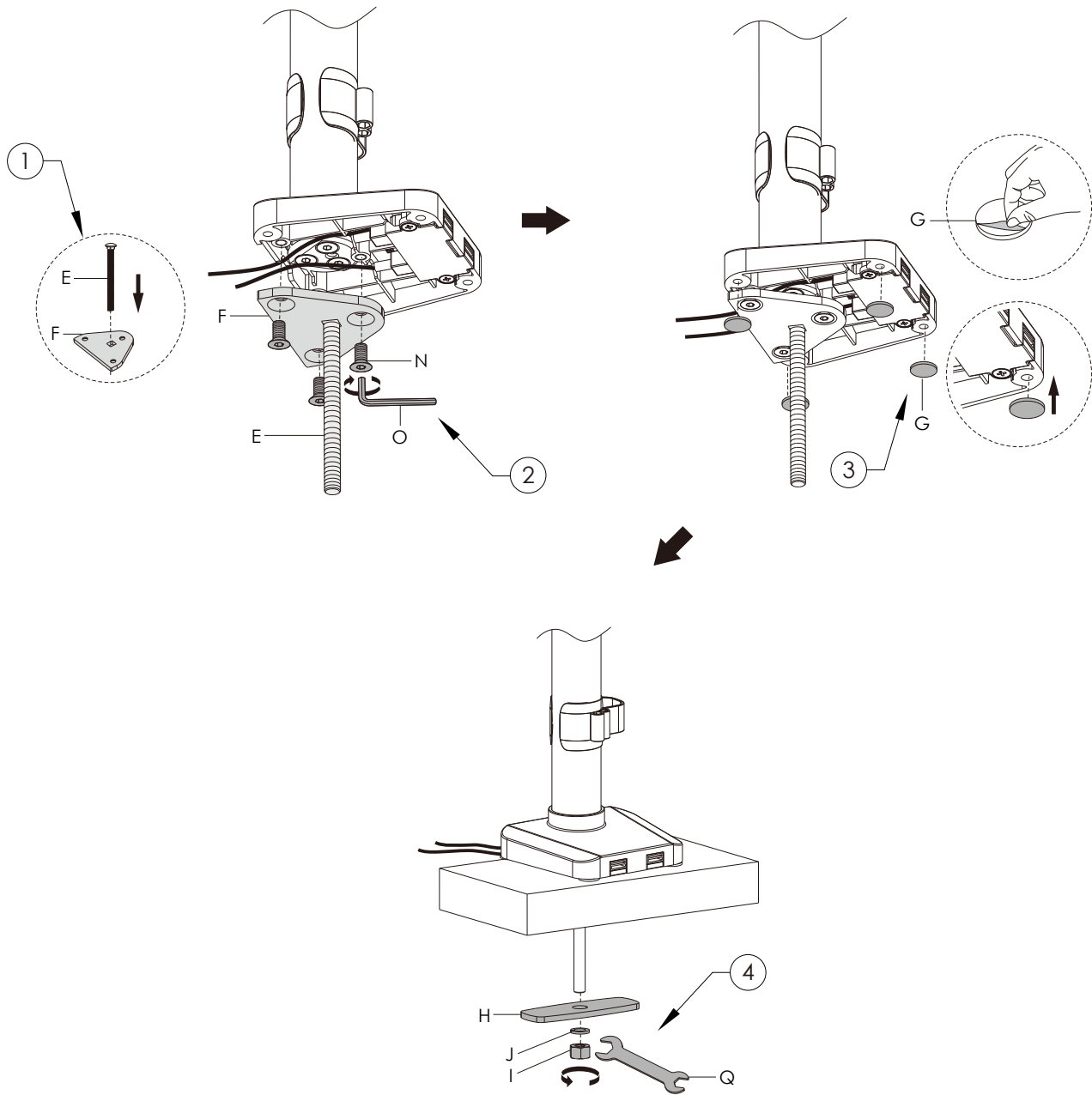
Note: Clamp position will change depending on table thickness.

1. Using the provided Allen wrench, fasten three flathead screws connecting the clamp plate to the underside of the pole.
2. After removing backing from pads, place them on corners of the base.
3. Using the provided Allen wrench, fasten 2 flathead screws connecting the clamp to the clamp plate.
4. Place cover on back of clamp plate and tuck cable in channel.

To report any issues with this product, please contact our customer service department at (888) 552-5699.

MOBIO MONITOR ARM, DUAL, POLE MOUNT, USB

1b GROMMET MOUNTING

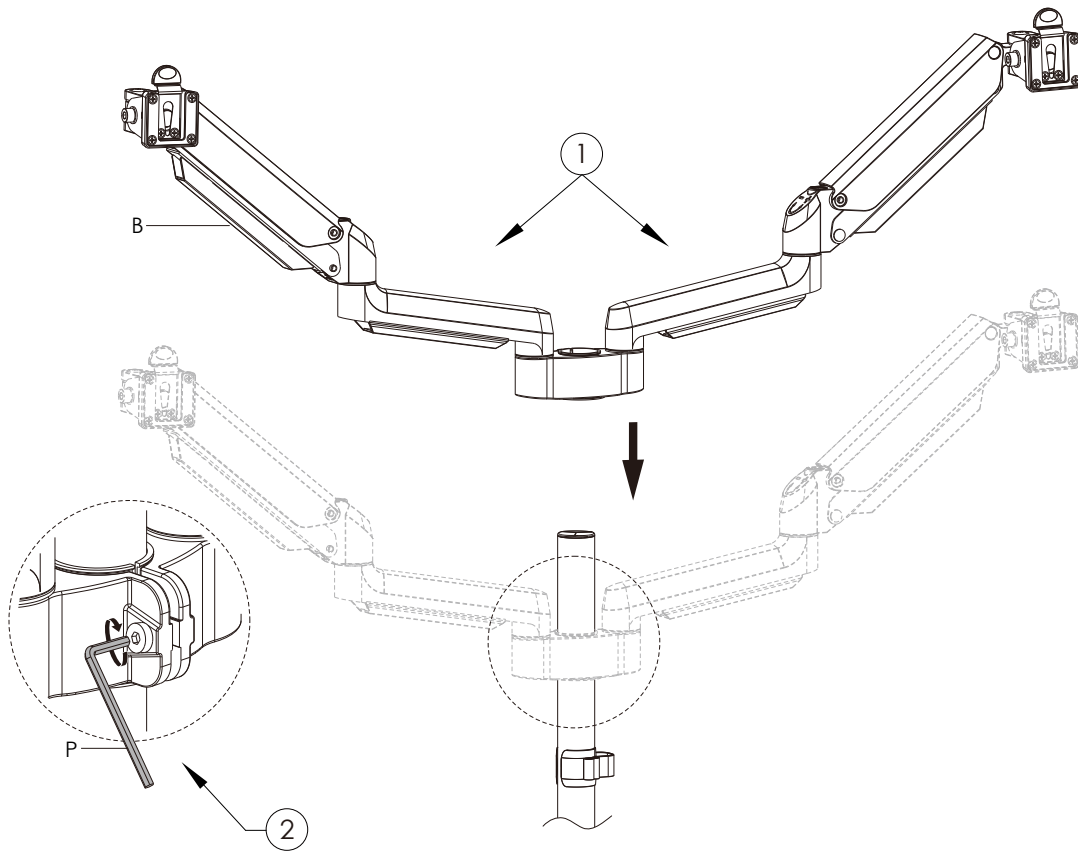


1. Place the long bolt through the clamp plate.
2. Using the provided Allen wrench, fasten three flathead screws connecting the clamp plate to the underside of the pole.
3. After removing backing from pads, place them on corners of the base.
4. Using the provided wrench tighten the nut, plate, and lock washer against surface.

To report any issues with this product, please contact our customer service department at (888) 552-5699.

MOBIO MONITOR ARM, DUAL, POLE MOUNT, USB

2

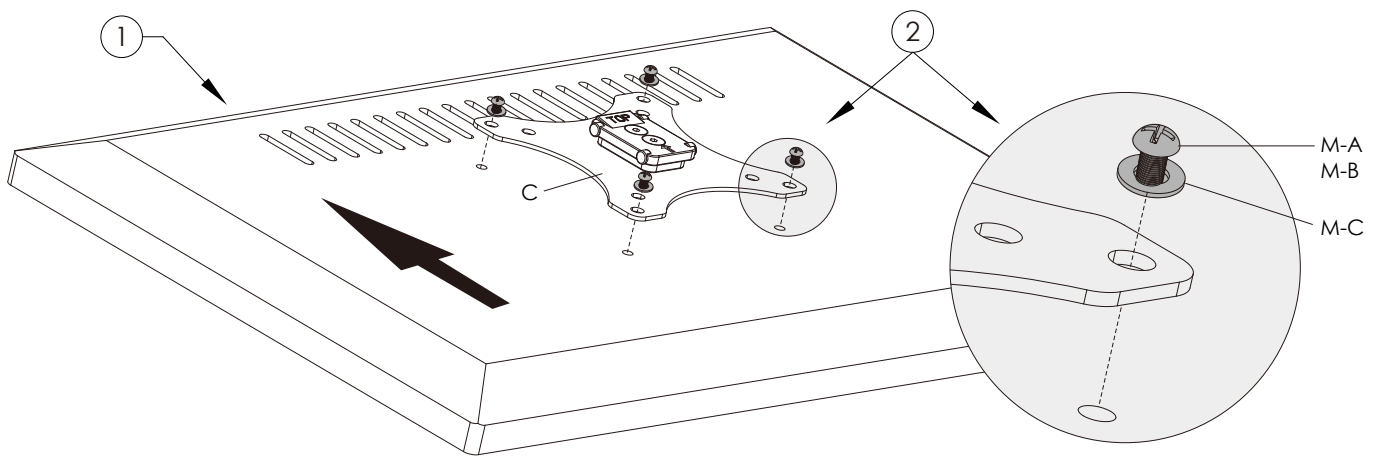


1. Slide dual monitor arm onto pole.
2. Using the provided Allen wrench, tighten the screw when the monitor arm is at the desired height and position.

To report any issues with this product, please contact our customer service department at (888) 552-5699.

MOBIO MONITOR ARM, DUAL, POLE MOUNT, USB

3



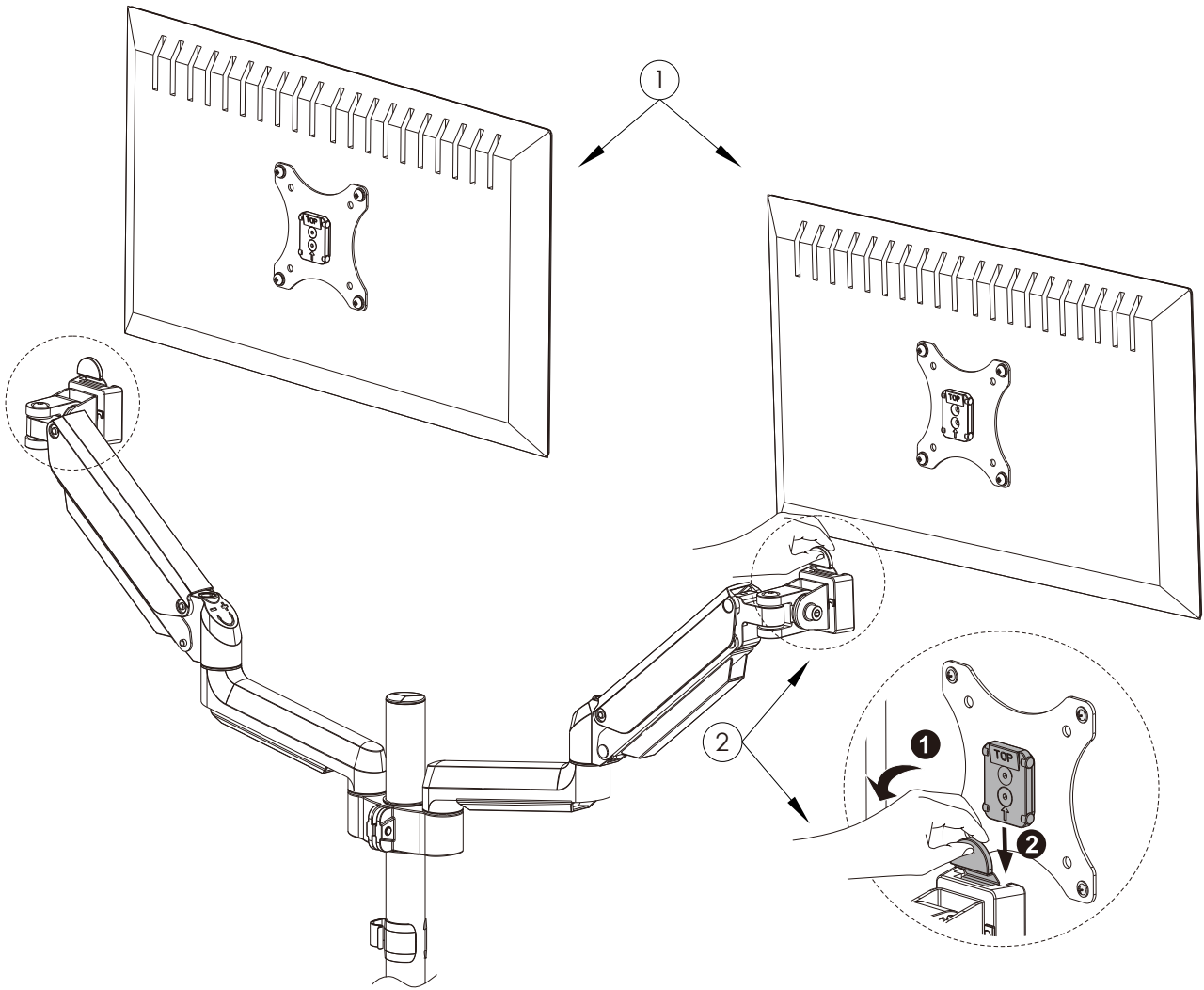
Note: Make sure to select correct length screw for monitor, failure to do so may cause damage to the monitor or cause monitor to dismount from plate.

1. Place the monitor on a flat surface (possibly a table with a soft towel to prevent scratches to the monitor screen)
2. Align the mounting plate on monitor and tighten the screws using a Phillips screwdriver.

To report any issues with this product, please contact our customer service department at (888) 552-5699.

MOBIO MONITOR ARM, DUAL, POLE MOUNT, USB

4

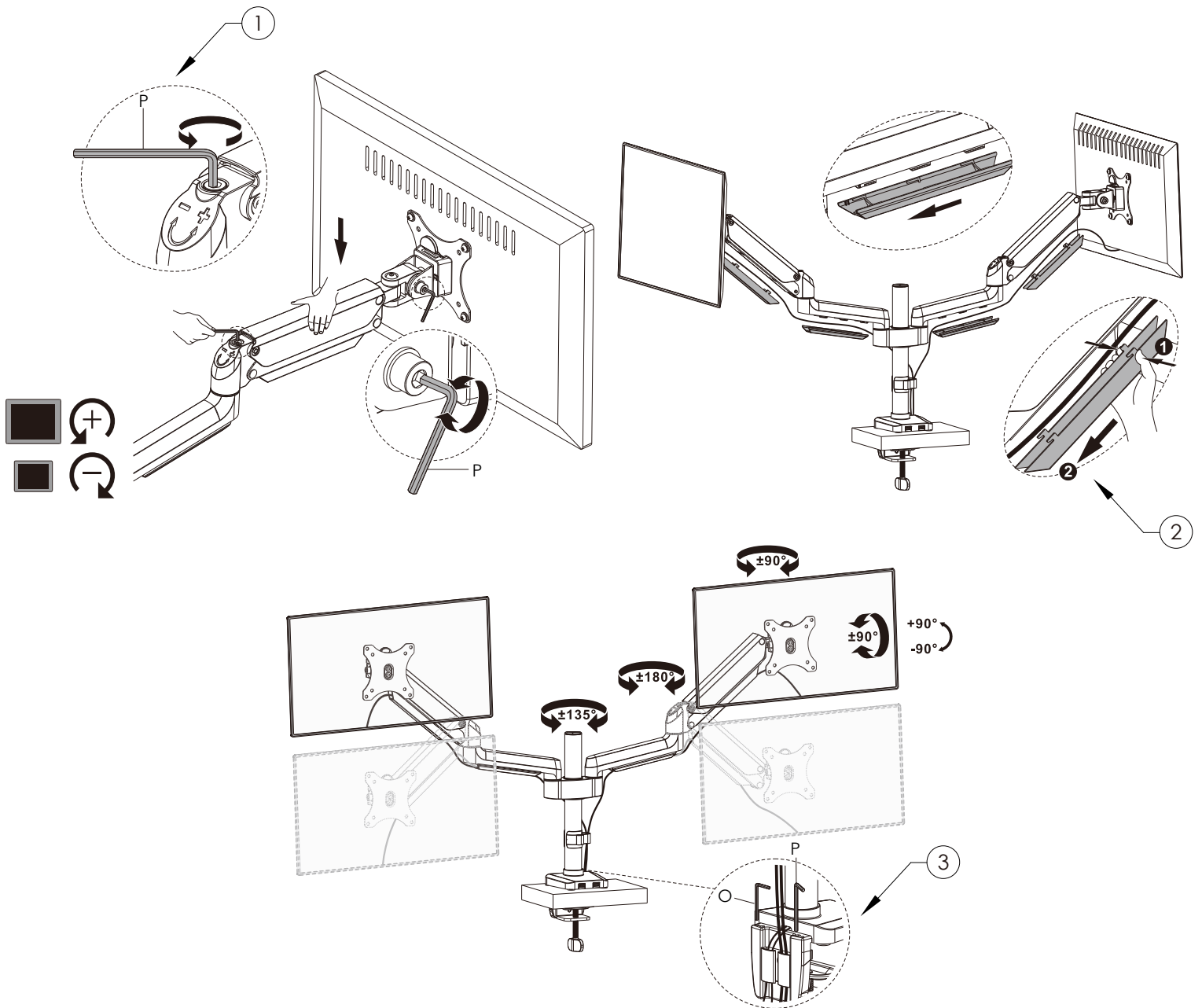


1. Using two hands, move monitor into position over end of arm.
2. While still holding monitor, have another person hold the spring open while sliding the monitor in place.

To report any issues with this product, please contact our customer service department at (888) 552-5699.

MOBIO MONITOR ARM, DUAL, POLE MOUNT, USB

5



1. Depending on size of monitor, you may have to adjust the arm tension. Modify arm tension as shown.
2. Attach cable management covers after tucking cables through.
3. Insert Allen wrenches for adjusting tension into slots on back cover.

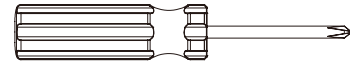
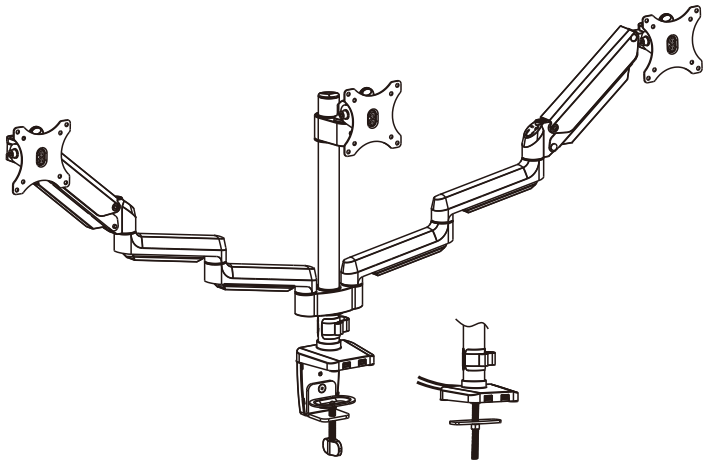
To report any issues with this product, please contact our customer service department at (888) 552-5699.

MOBIO MONITOR ARM, TRIPLE, POLE MOUNT, USB

IMPORTANT: PLEASE READ ALL INSTRUCTIONS BEFORE STARTING ASSEMBLY.

86-009060/86-009065

REQUIRED TOOLS



#2 Phillips Screwdriver

COMPONENTS



A(x1)



C(x3)



D(x1)



E(x1)



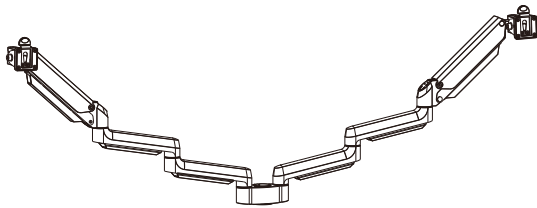
F(x1)



G(x4)



H(x1)



B(x1)



I(x1)



J(x1)



K(x1)



L(x1)



M(x1)



N(x2)



O(x3)



3mm(x1)
P



4mm(x1)
Q



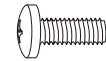
6mm(x1)
R



S(x1)



M4x12(x12)
M-A

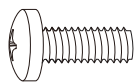


M5x12(x12)
M-B

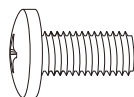


D5(x12)
M-C

1:1 SCALE



M4x12mm Screw
M-A



M5x12mm Screw
M-B

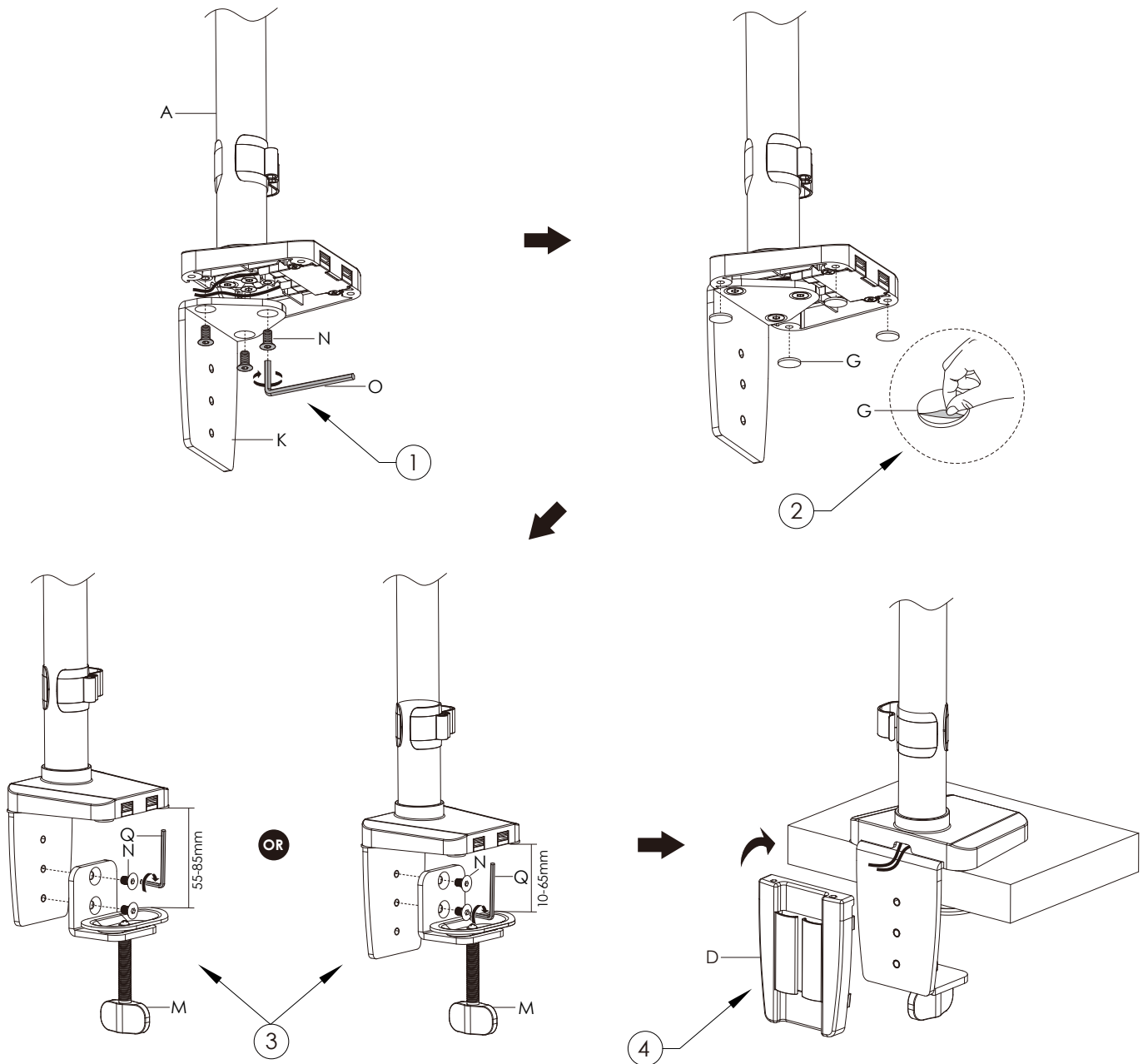


D5 Washer
M-C

To report any issues with this product, please contact our customer service department at (888) 552-5699.

MOBIO MONITOR ARM, TRIPLE, POLE MOUNT, USB

1a TABLE EDGE MOUNTING



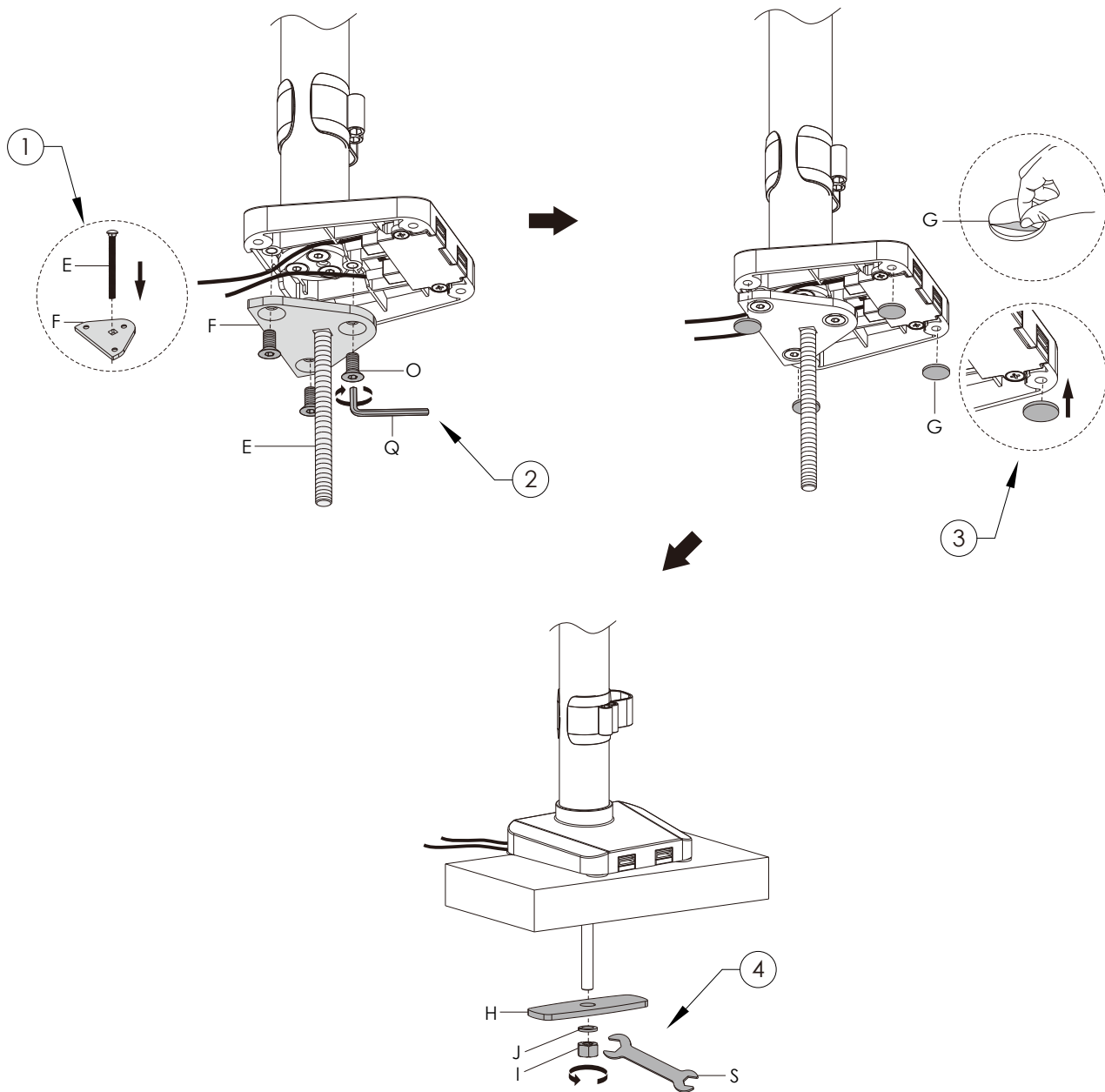
Note: Clamp position will change depending on table thickness.

1. Using the provided Allen wrench, fasten three flathead screws connecting the clamp plate to the underside of the pole.
2. After removing backing from pads, place them on corners of the base.
3. Using the provided Allen wrench, fasten 2 flathead screws connecting the clamp to the clamp plate.
4. Place cover on back of clamp plate and tuck cable in channel.

To report any issues with this product, please contact our customer service department at (888) 552-5699.

MOBIO MONITOR ARM, TRIPLE, POLE MOUNT, USB

1b GROMMET MOUNTING

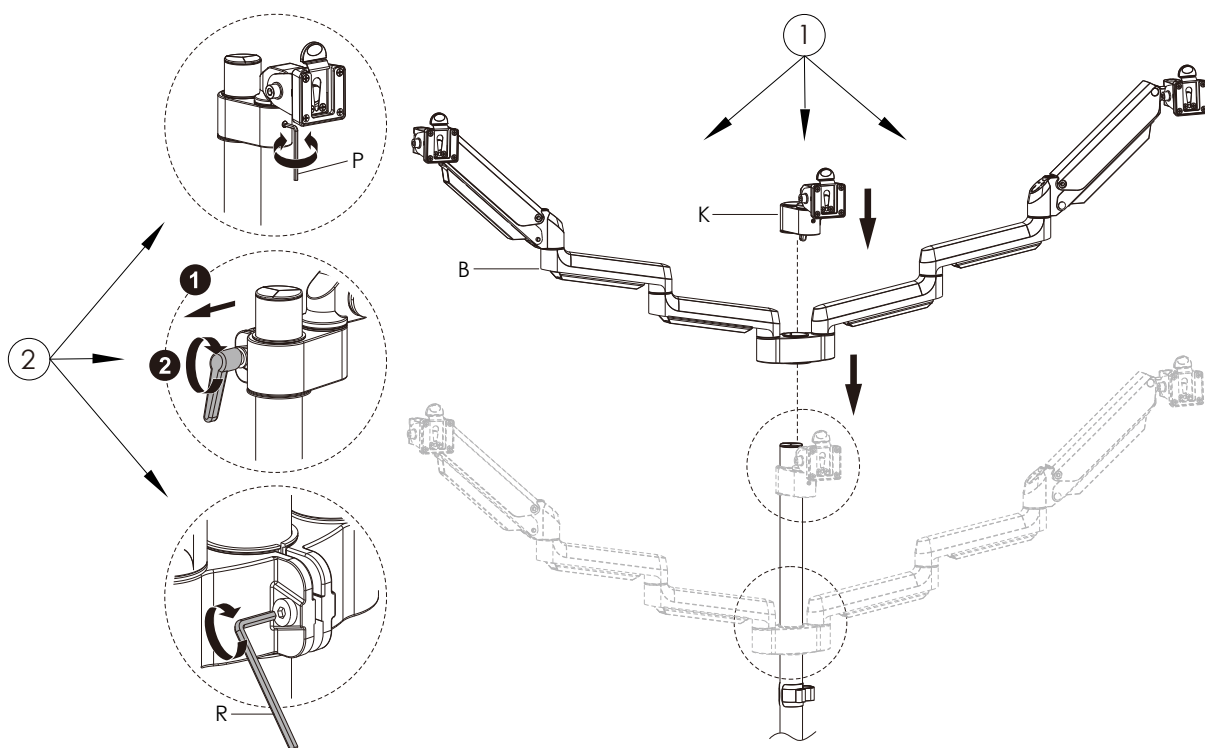


1. Place the long bolt through the clamp plate.
2. Using the provided Allen wrench, fasten three flathead screws connecting the clamp plate to the underside of the pole.
3. After removing backing from pads, place them on corners of the base.
4. Using the provided wrench tighten the nut, plate, and lock washer against surface.

To report any issues with this product, please contact our customer service department at (888) 552-5699.

MOBIO MONITOR ARM, TRIPLE, POLE MOUNT, USB

2

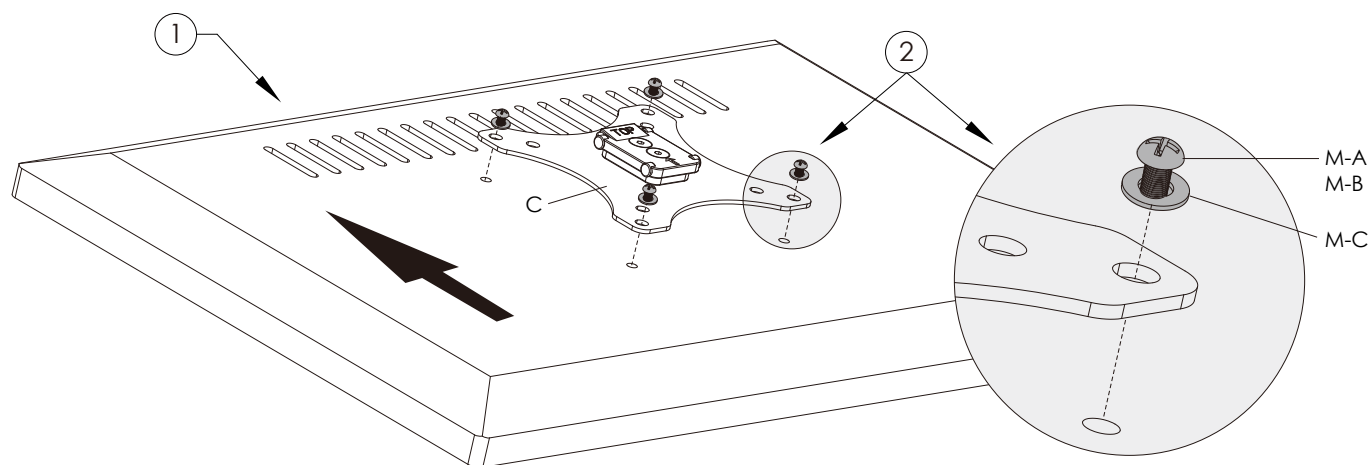
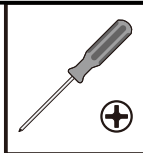


1. Slide dual monitor arm onto pole followed by single mount.
2. Using the provided Allen wrench, tighten the screw when the monitor arm is at the desired height and position.

To report any issues with this product, please contact our customer service department at (888) 552-5699.

MOBIO MONITOR ARM, TRIPLE, POLE MOUNT, USB

3



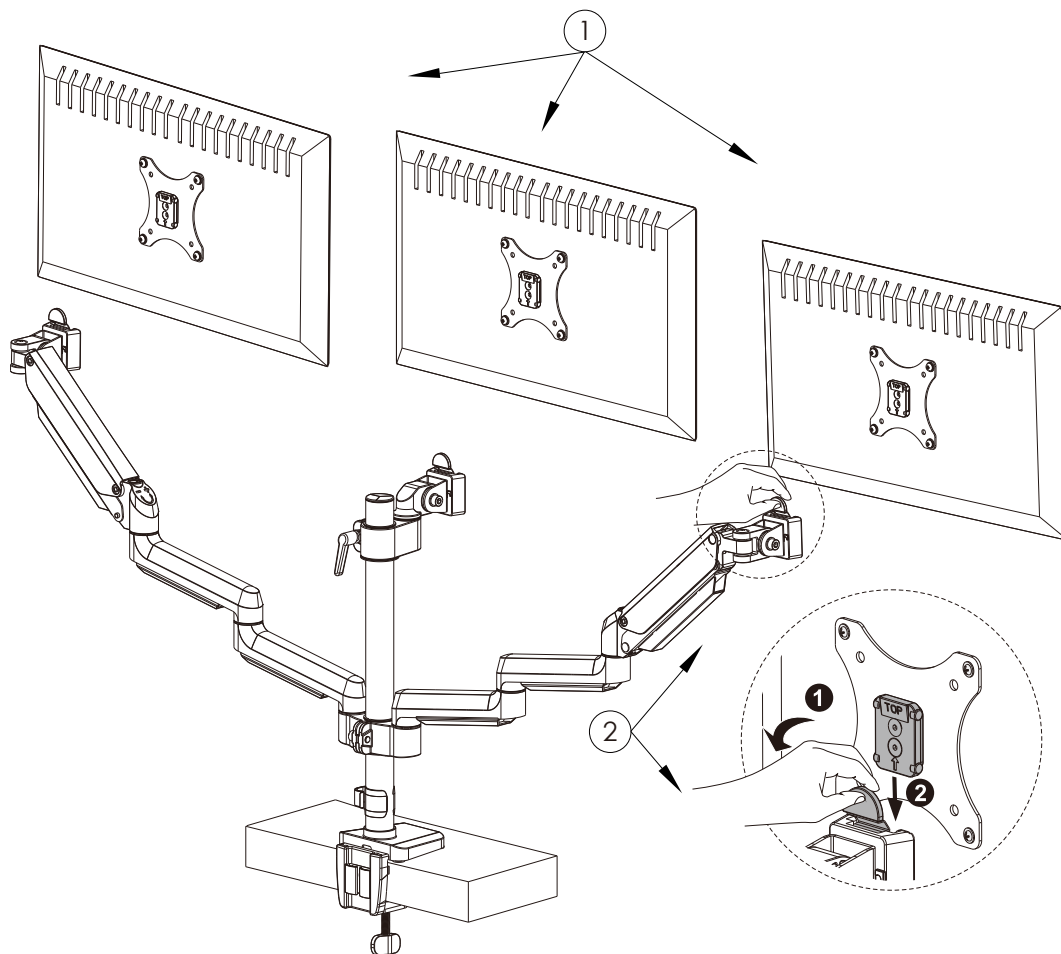
Note: Make sure to select correct length screw for monitor, failure to do so may cause damage to the monitor or cause monitor to dismount from plate.

1. Place the monitor on a flat surface (possibly a table with a soft towel to prevent scratches to the monitor screen)
2. Align the mounting plate on monitor and tighten the screws using a Phillips screwdriver.

To report any issues with this product, please contact our customer service department at (888) 552-5699.

MOBIO MONITOR ARM, TRIPLE, POLE MOUNT, USB

4

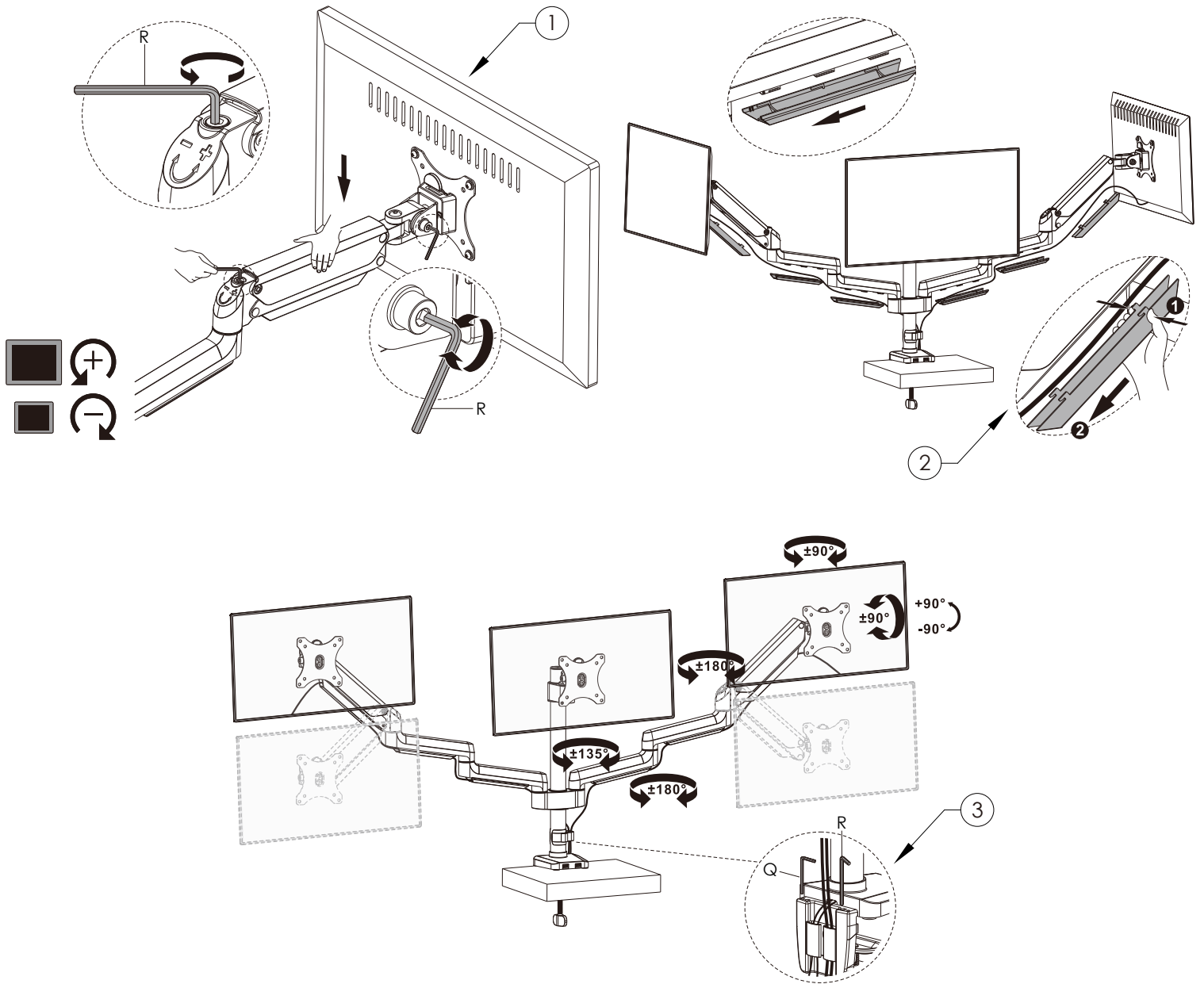


1. Using two hands, move monitor into position over end of arm.
2. While still holding monitor, have another person hold the spring open while sliding the monitor in place.

To report any issues with this product, please contact our customer service department at (888) 552-5699.

MOBIO MONITOR ARM, TRIPLE, POLE MOUNT, USB

5



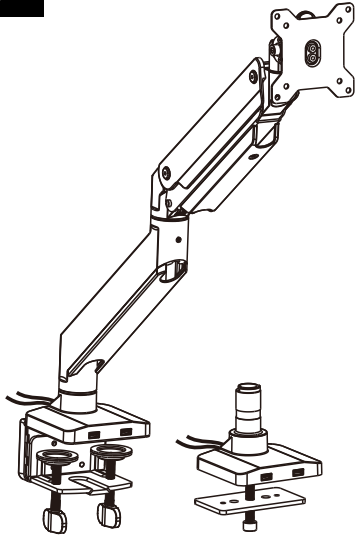
1. Depending on size of monitor, you may have to adjust the arm tension. Modify arm tension as shown.
2. Attach cable management covers after tucking cables through.
3. Insert Allen wrenches for adjusting tension into slots on back cover.

To report any issues with this product, please contact our customer service department at (888) 552-5699.

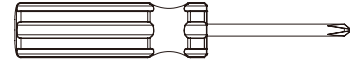
MOBIO HD MONITOR ARM, SINGLE, DESK MOUNT, USB

IMPORTANT: PLEASE READ ALL INSTRUCTIONS BEFORE STARTING ASSEMBLY.

86-009069

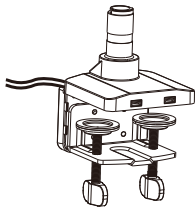


REQUIRED TOOLS

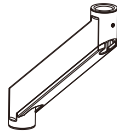


#2 Phillips Screwdriver

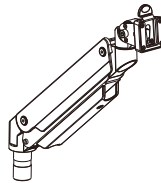
COMPONENTS



A(x1)



B(x1)



C(x1)



D(x1)



E(x1)



F(x1)



G(x1)



H(x1)



I(x1)



3mm(x1)
J



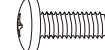
4mm(x1)
K



6mm(x1)
L



M4x12(x4)
M-A

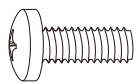


M5x12(x4)
M-B

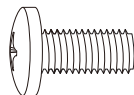


D5(x4)
M-C

1:1 SCALE



M4x12mm Screw
M-A



M5x12mm Screw
M-B

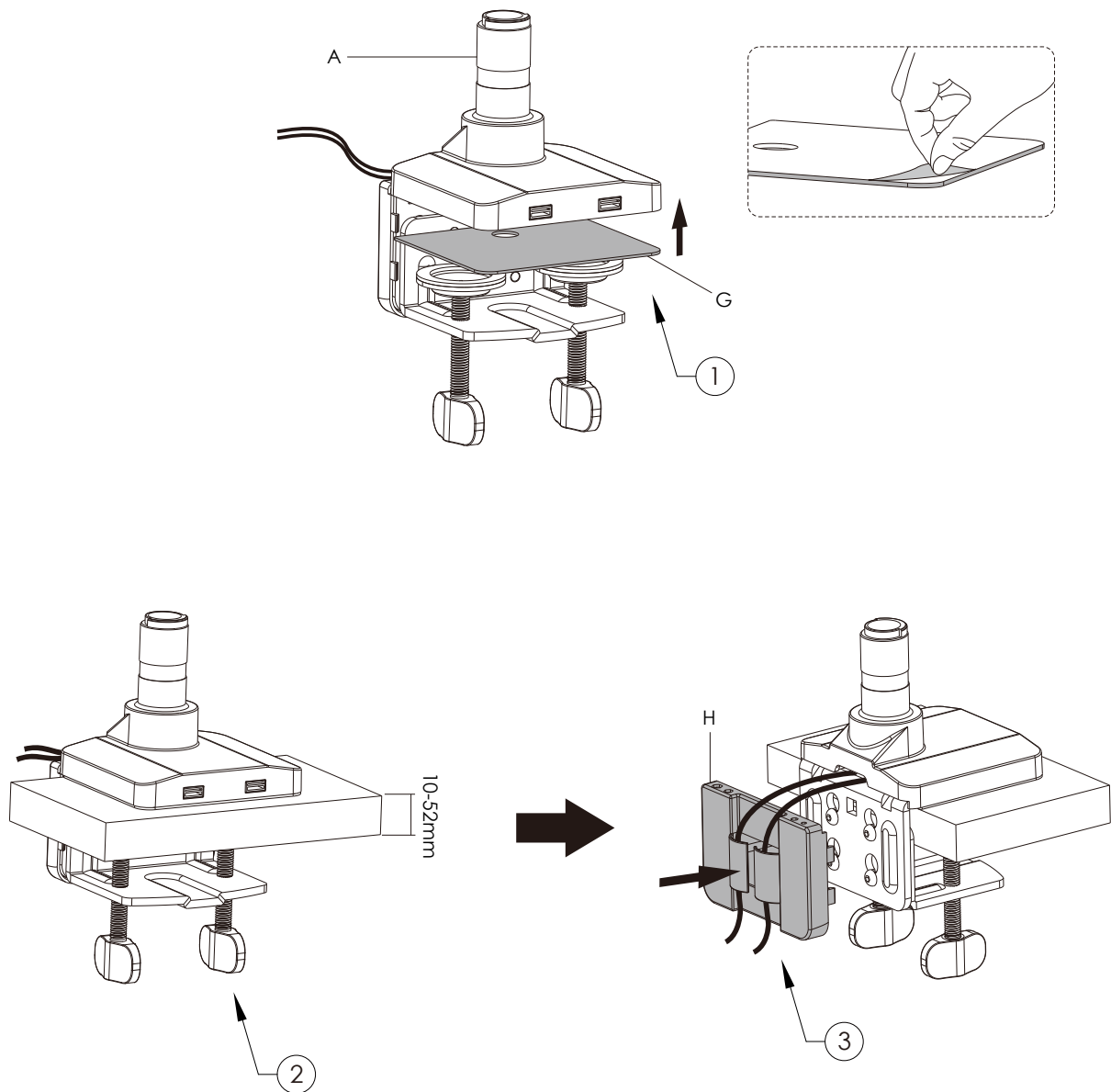


D5 Washer
M-C

To report any issues with this product, please contact our customer service department at (888) 552-5699.

MOBIO HD MONITOR ARM, SINGLE, DESK MOUNT, USB

1a TABLE EDGE MOUNTING

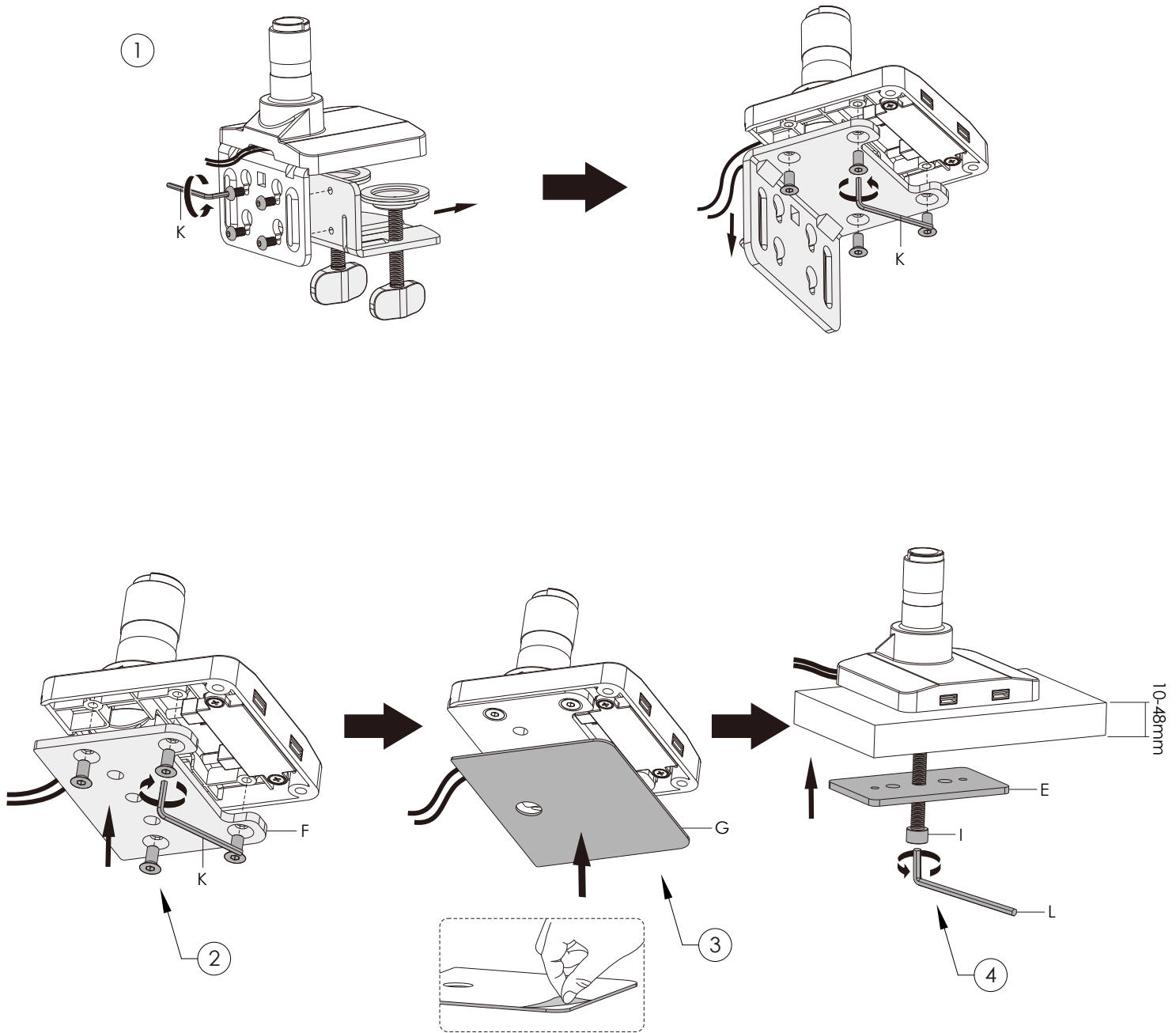


1. After removing the backing from the pad, place it on the underside of the base.
2. Place monitor arm base on surface and tighten the wing nuts until base is secure.
3. Tuck cables and attach cable management channel.

To report any issues with this product, please contact our customer service department at (888) 552-5699.

MOBIO HD MONITOR ARM, SINGLE, DESK MOUNT, USB

1b GROMMET MOUNTING

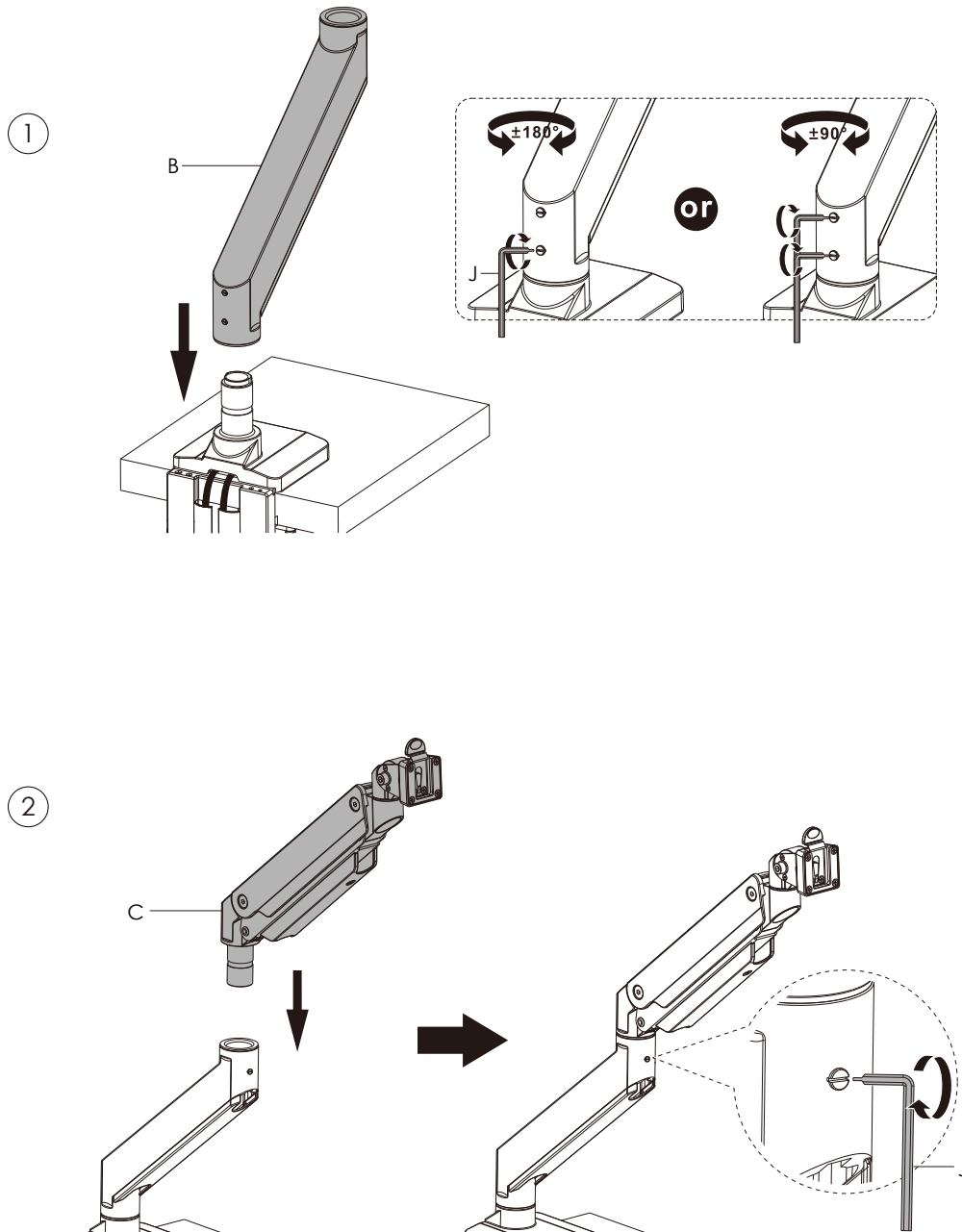


1. Using the provided Allen wrench, remove the clamp plate assembly held in place by 8 screws.
2. Attach the mounting plate using provided Allen wrench.
3. After removing the backing from the pad, place it on this mounting plate.
4. Using the provided Allen wrench tighten the screw and plate against surface.

To report any issues with this product, please contact our customer service department at (888) 552-5699.

MOBIO HD MONITOR ARM, SINGLE, DESK MOUNT, USB

2

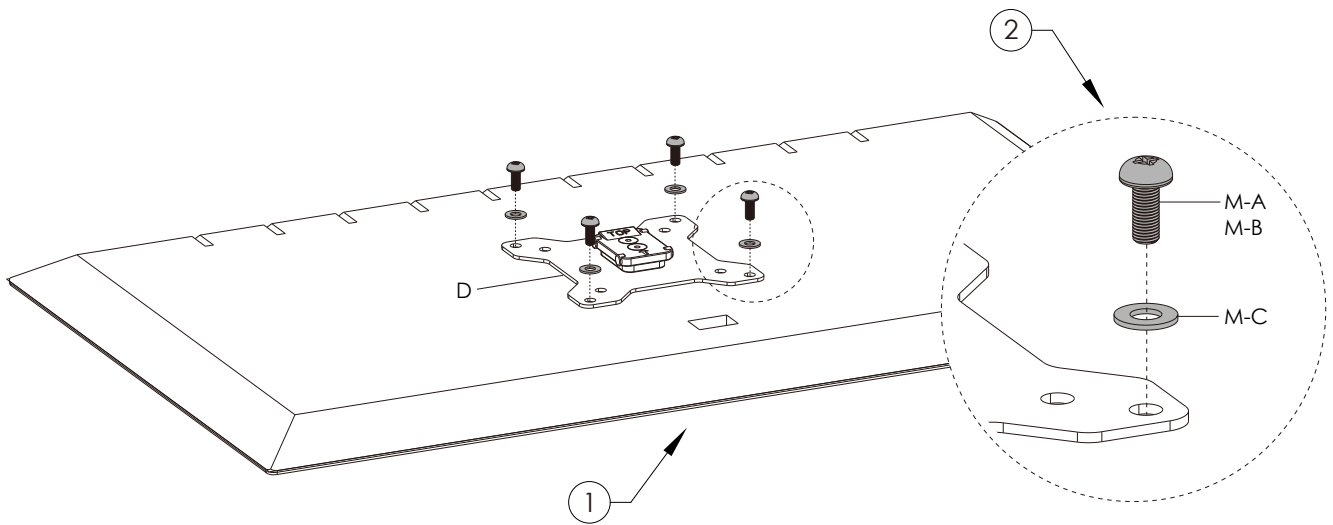


1. Place first section of monitor arm on base, position as desired and tighten the set screws with the provided combination Allen/flathead tool.
2. Place second section of monitor arm on base and tighten the set screw using the provided combination Allen/flathead tool.

To report any issues with this product, please contact our customer service department at (888) 552-5699.

MOBIO HD MONITOR ARM, SINGLE, DESK MOUNT, USB

3



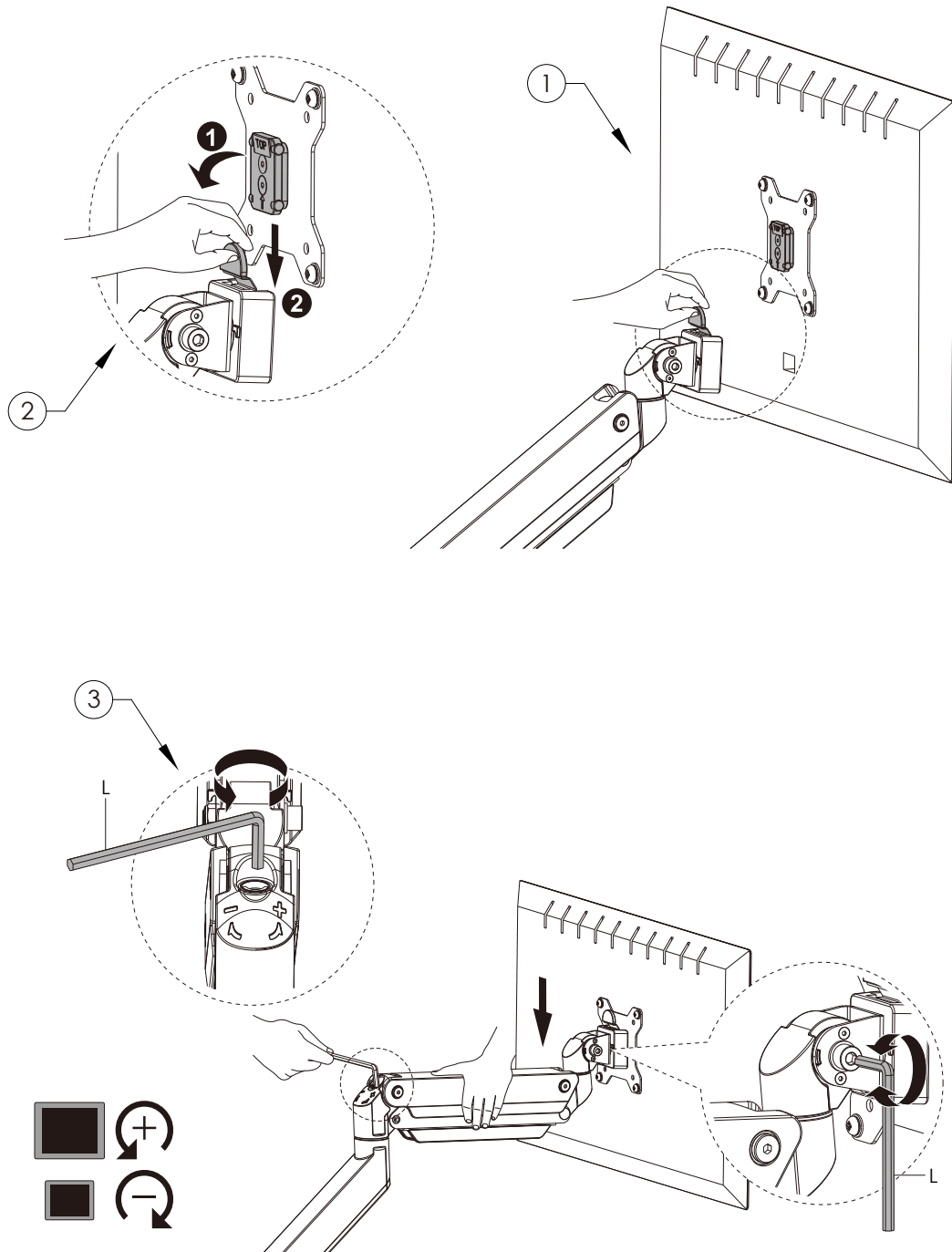
Note: Make sure to select correct length screw for monitor, failure to do so may cause damage to the monitor or cause monitor to dismount from plate.

1. Place the monitor on a flat surface (possibly a table with a soft towel to prevent scratches to the monitor screen)
2. Align the mounting plate on monitor and tighten the screws using a Phillips screwdriver.

To report any issues with this product, please contact our customer service department at (888) 552-5699.

MOBIO HD MONITOR ARM, SINGLE, DESK MOUNT, USB

4

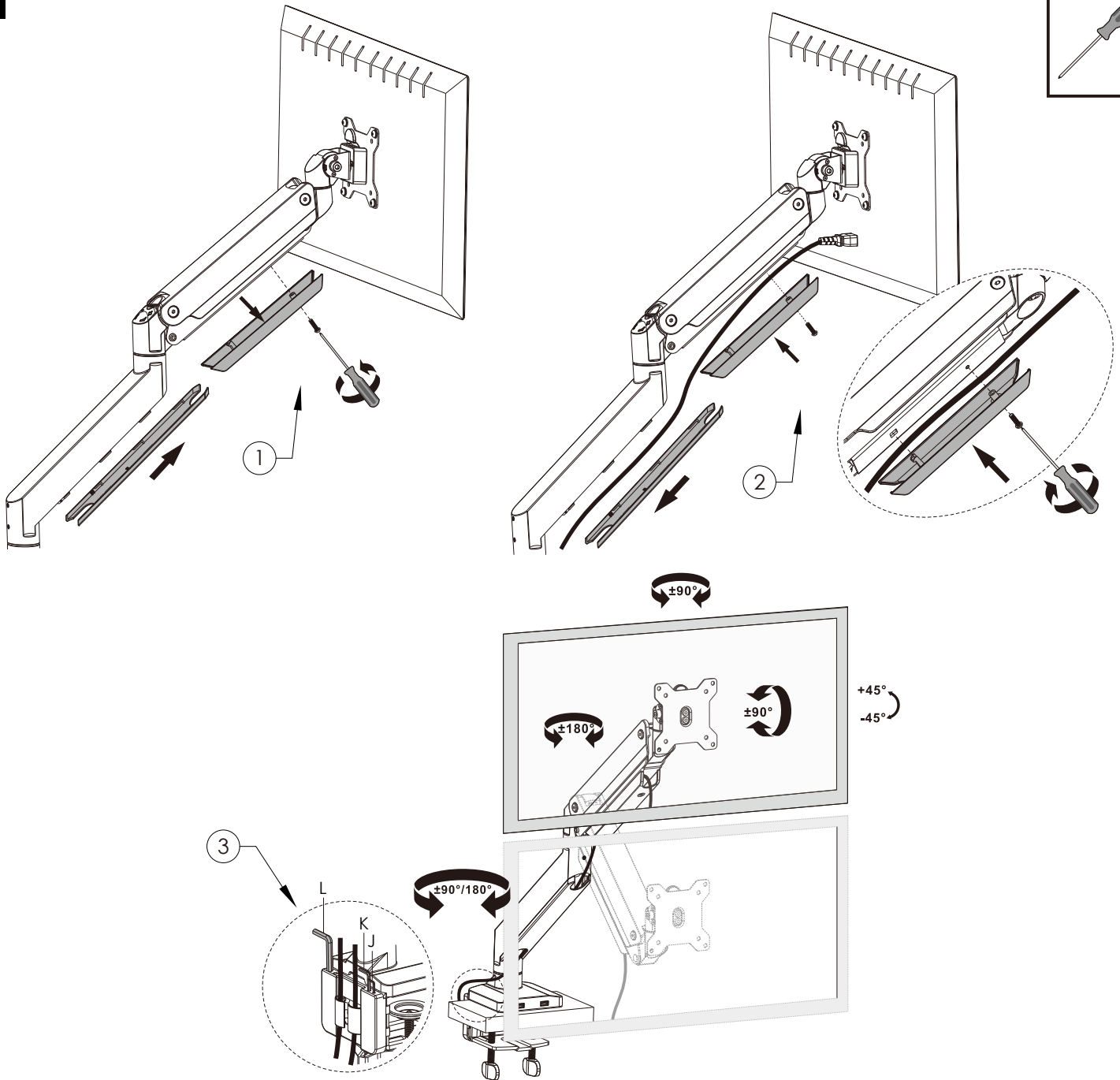


1. Using two hands, move monitor into position over end of arm.
2. While still holding monitor, have another person hold the spring open while sliding the monitor in place.
3. Depending on size of monitor, you may have to adjust the arm tension. Modify arm tension as shown.

To report any issues with this product, please contact our customer service department at (888) 552-5699.

MOBIO HD MONITOR ARM, SINGLE, DESK MOUNT, USB

5



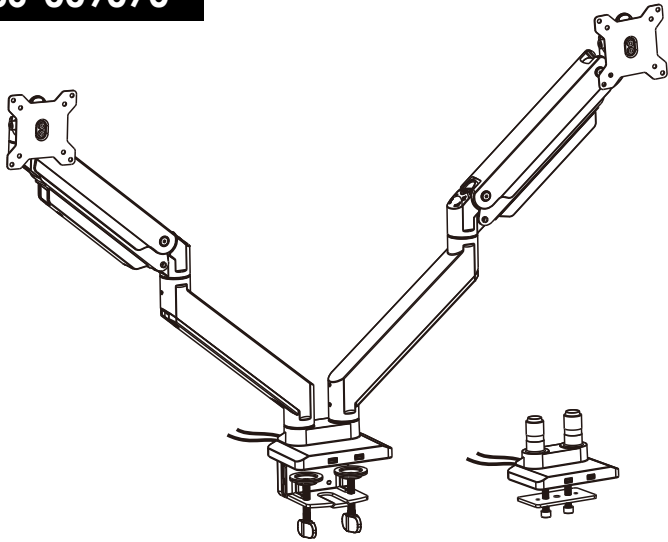
1. Remove the screws holding the cable management covers in place and remove the covers.
2. Tuck cables in covers and reattach being careful not to let the cables interfere with the screws.
3. Insert Allen wrenches for adjusting tension into slots on back cover.

To report any issues with this product, please contact our customer service department at (888) 552-5699.

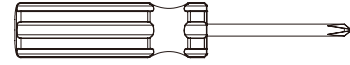
MOBIO HD MONITOR ARM, DUAL, DESK MOUNT, USB

IMPORTANT: PLEASE READ ALL INSTRUCTIONS BEFORE STARTING ASSEMBLY.

86-009070

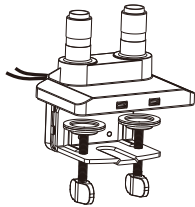


REQUIRED TOOLS

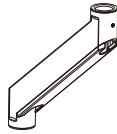


#2 Phillips Screwdriver

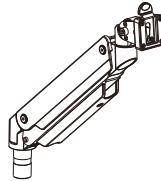
COMPONENTS



A(x1)



B(x2)



C(x2)



D(x2)



E(x1)



F(x1)



G(x1)



H(x1)



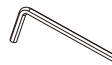
I(x2)



3mm(x1)
J



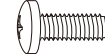
4mm(x1)
K



6mm(x1)
L



M4x12(x8)
M-A

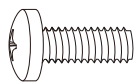


M5x12(x8)
M-B

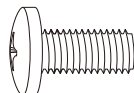


D5(x8)
M-C

1:1 SCALE



M4x12mm Screw
M-A



M5x12mm Screw
M-B

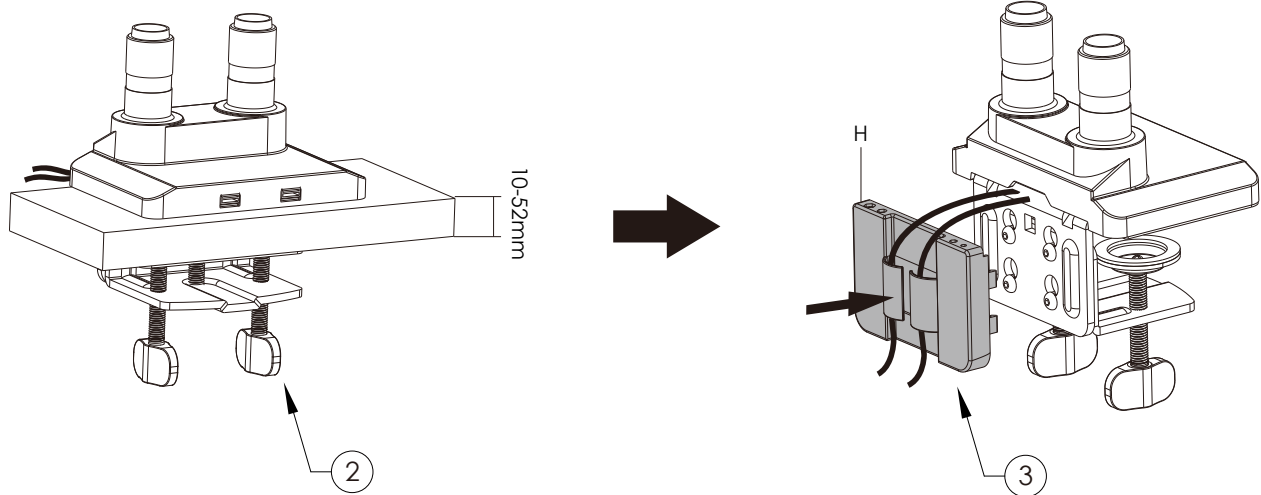
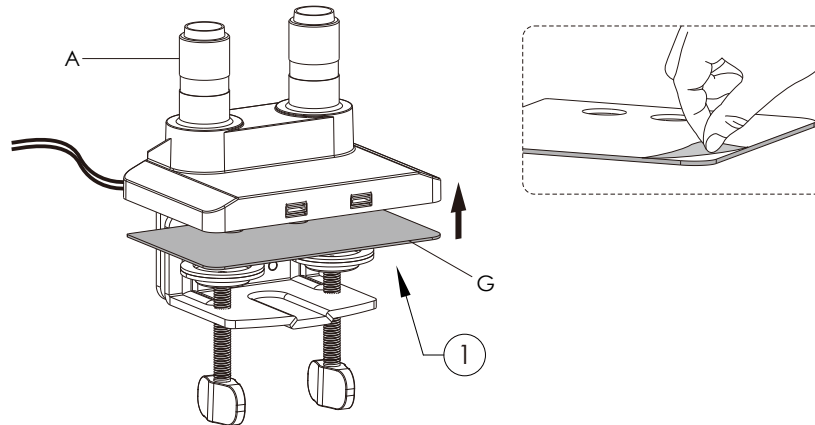


D5 Washer
M-C

To report any issues with this product, please contact our customer service department at (888) 552-5699.

MOBIO HD MONITOR ARM, DUAL, DESK MOUNT, USB

1a TABLE EDGE MOUNTING

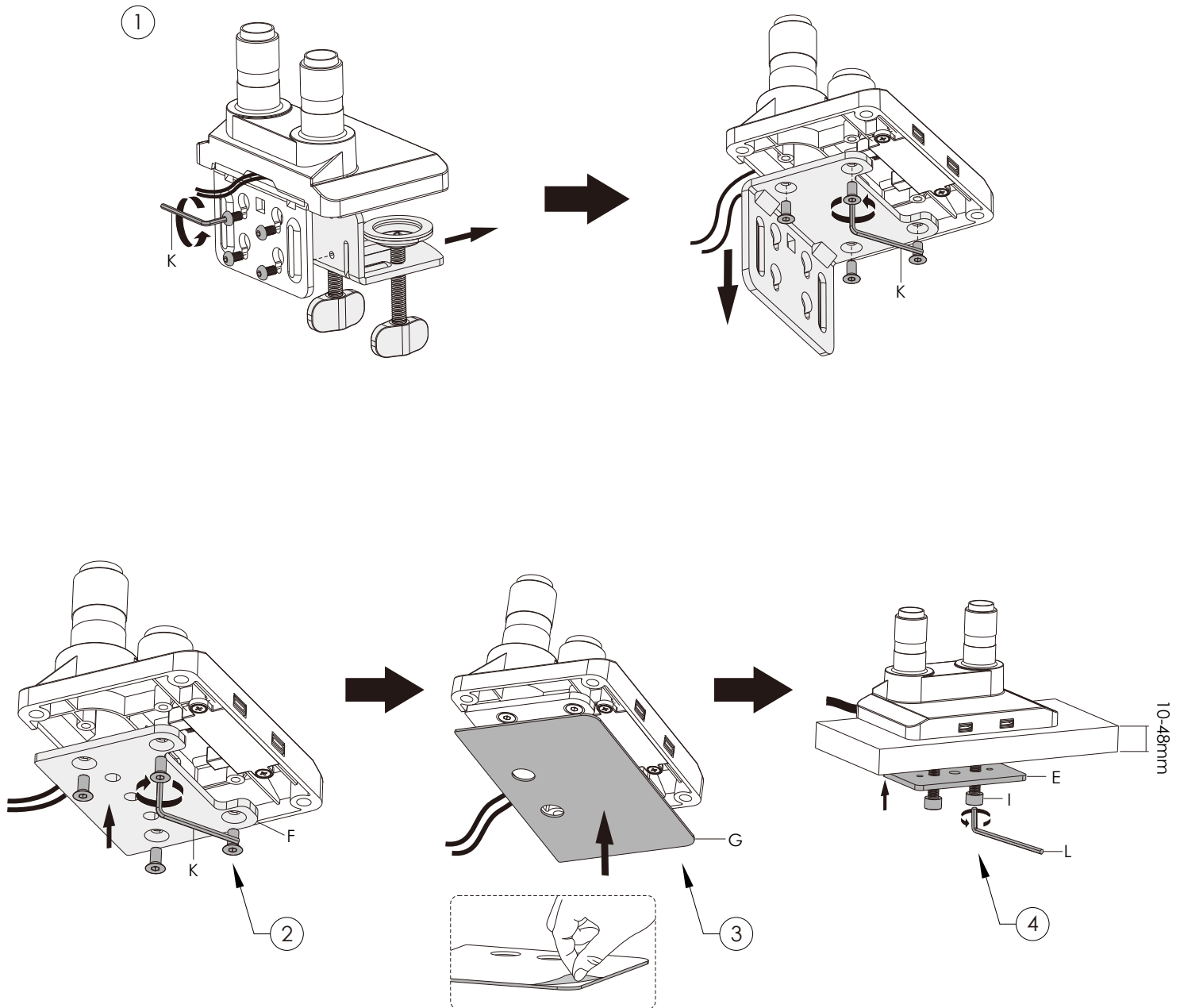


1. After removing the backing from the pad, place it on the underside of the base.
2. Place monitor arm base on surface and tighten the wing nuts until base is secure.
3. Tuck cables and attach cable management channel.

To report any issues with this product, please contact our customer service department at (888) 552-5699.

MOBIO HD MONITOR ARM, DUAL, DESK MOUNT, USB

1b GROMMET MOUNTING

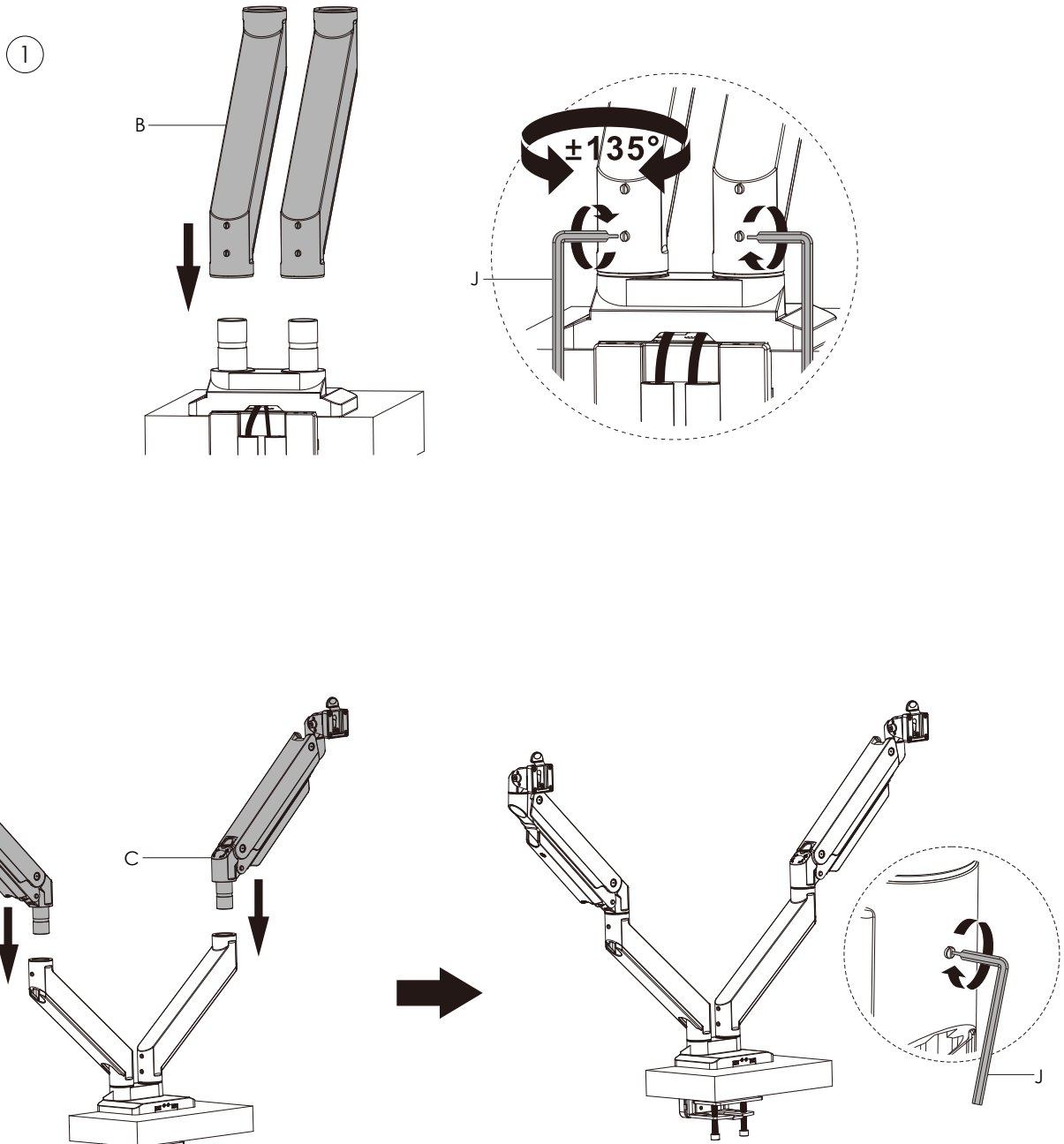


1. Using the provided Allen wrench, remove the clamp plate assembly held in place by 8 screws.
2. Attach the mounting plate using provided Allen wrench.
3. After removing the backing from the pad, place it on this mounting plate.
4. Using the provided Allen wrench tighten the screws and plate against surface.

To report any issues with this product, please contact our customer service department at (888) 552-5699.

MOBIO HD MONITOR ARM, DUAL, DESK MOUNT, USB

2

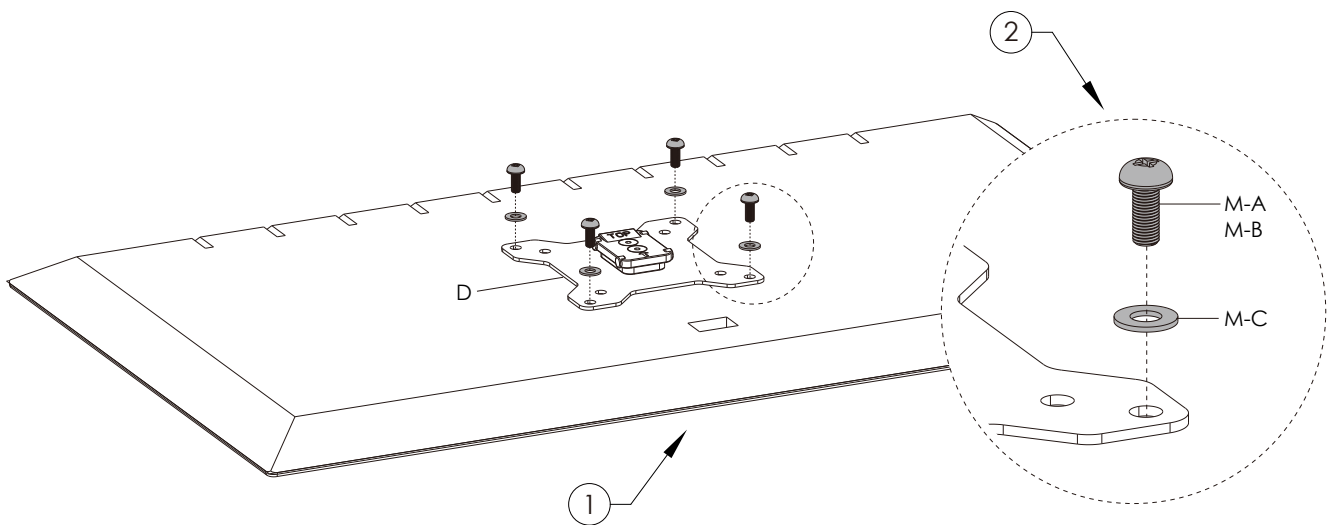


1. Place first section of monitor arm on base, position as desired and tighten the set screws with the provided combination Allen/flathead tool.
2. Place second sections of monitor arm on bases and tighten the set screw using the provided combination Allen/flathead tool.

To report any issues with this product, please contact our customer service department at (888) 552-5699.

MOBIO HD MONITOR ARM, DUAL, DESK MOUNT, USB

3



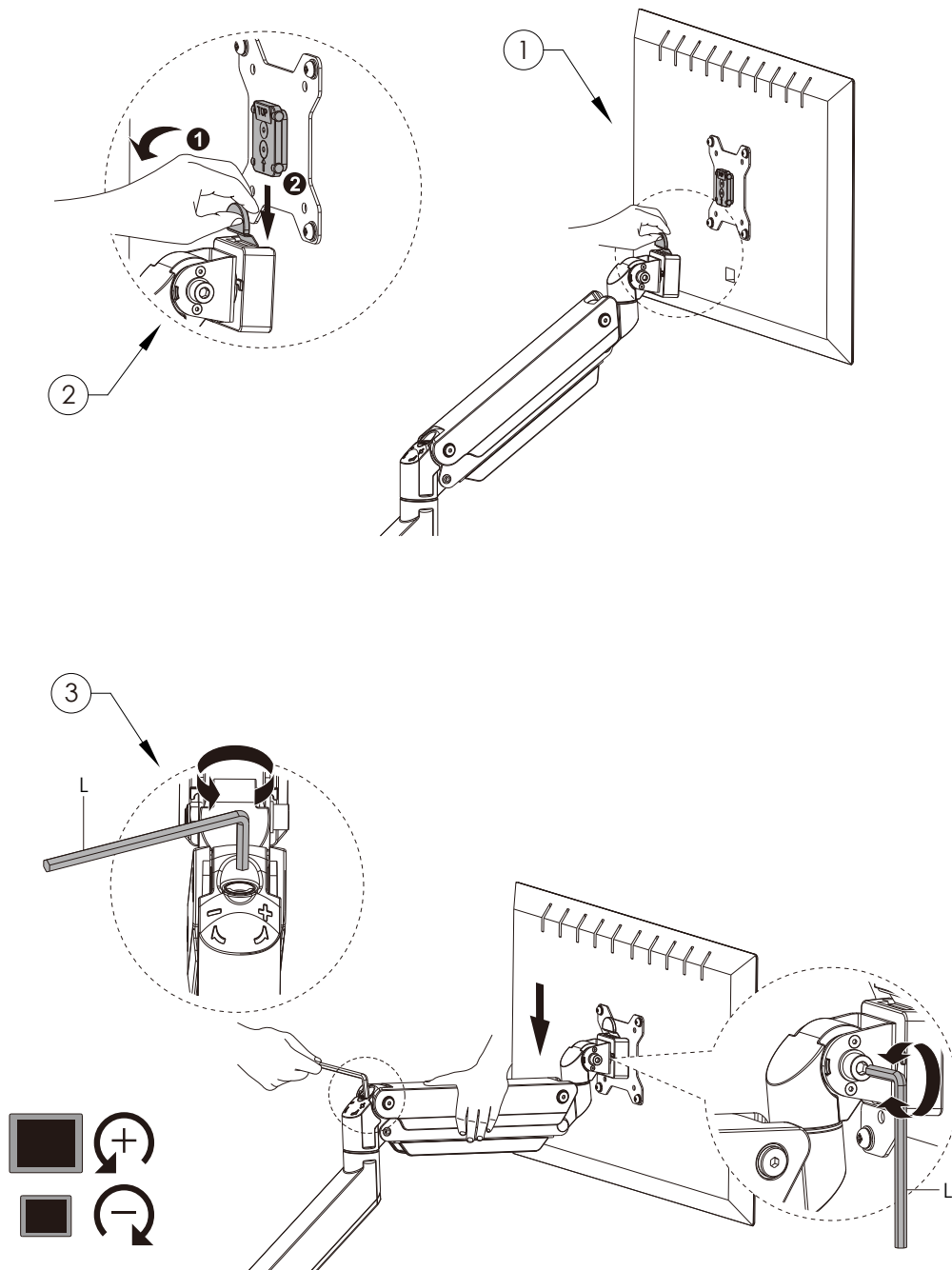
Note: Make sure to select correct length screw for monitor, failure to do so may cause damage to the monitor or cause monitor to dismount from plate.

1. Place the monitor on a flat surface (possibly a table with a soft towel to prevent scratches to the monitor screen)
2. Align the mounting plate on monitor and tighten the screws using a Phillips screwdriver.

To report any issues with this product, please contact our customer service department at (888) 552-5699.

MOBIO HD MONITOR ARM, DUAL, DESK MOUNT, USB

4

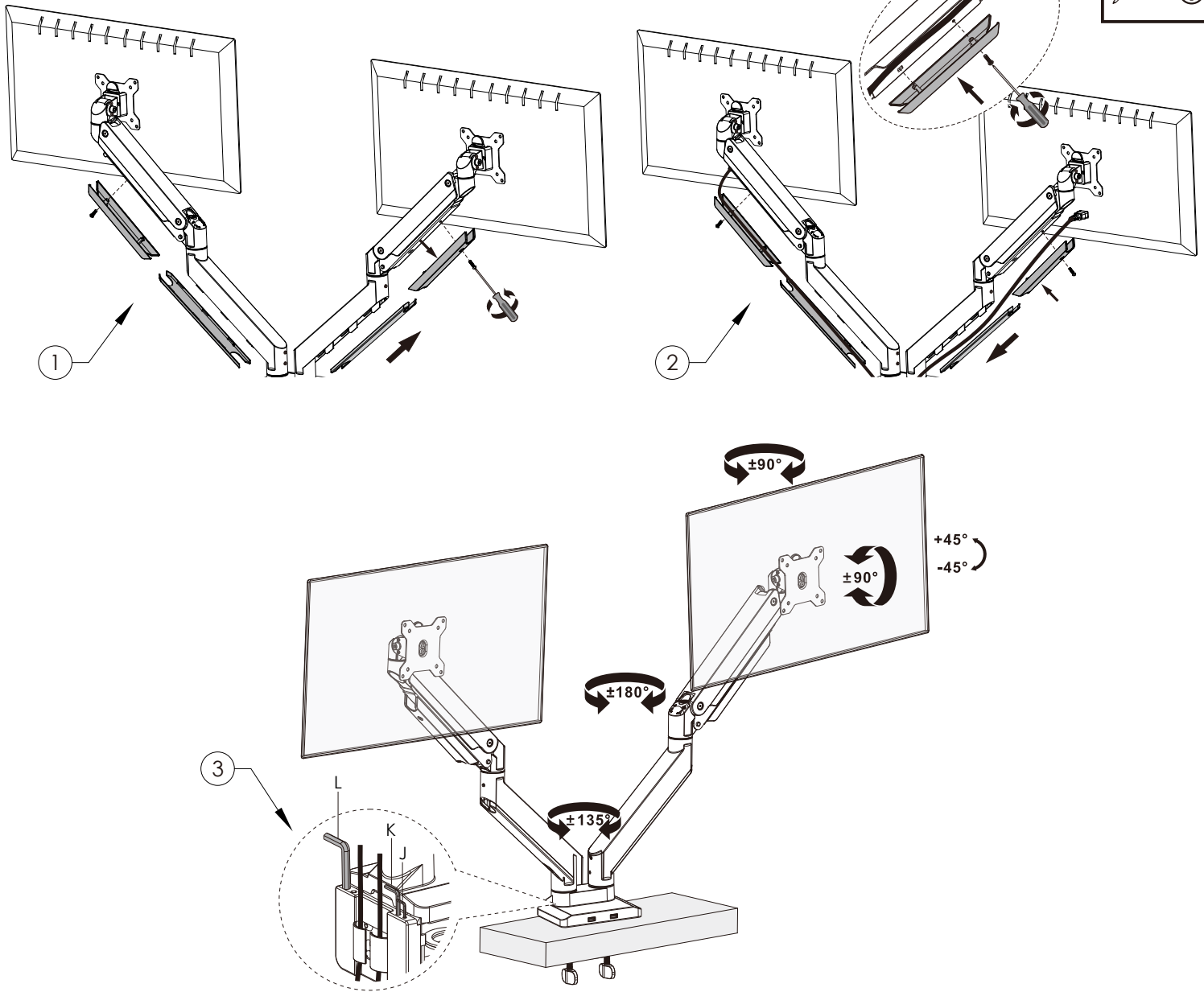


1. Using two hands, move monitor into position over end of arm.
2. While still holding monitor, have another person hold the spring open while sliding the monitor in place.
3. Depending on size of monitor, you may have to adjust the arm tension. Modify arm tension as shown.

To report any issues with this product, please contact our customer service department at (888) 552-5699.

MOBIO HD MONITOR ARM, DUAL, DESK MOUNT, USB

5



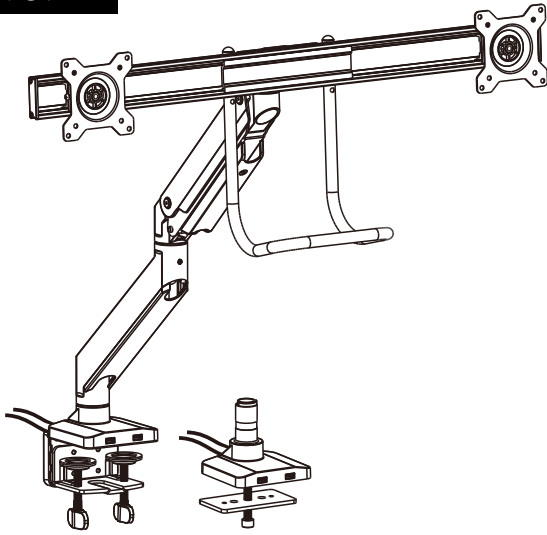
1. Remove the screws holding the cable management covers in place and remove the covers.
2. Tuck cables in covers and reattach being careful not to let the cables interfere with the screws.
3. Insert Allen wrenches for adjusting tension into slots on back cover.

To report any issues with this product, please contact our customer service department at (888) 552-5699.

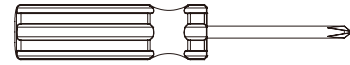
MOBIO HD MONITOR ARM W/HAN, DUAL, DESK MOUNT, USB

IMPORTANT: PLEASE READ ALL INSTRUCTIONS BEFORE STARTING ASSEMBLY.

86-009071

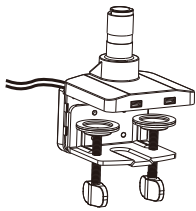


REQUIRED TOOLS

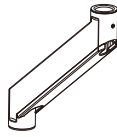


#2 Phillips Screwdriver

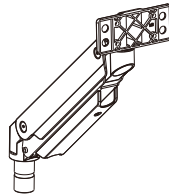
COMPONENTS



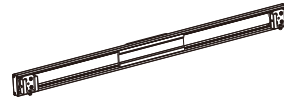
A(x1)



B(x1)



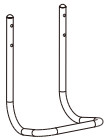
C(x1)



D(x1)



E(x2)



F(x1)



G(x1)



H(x1)



I(x1)



J(x1)



K(x4)



L(x2)



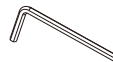
M(x1)



3mm(x1)
N



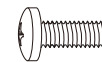
4mm(x1)
O



6mm(x1)
P



M4x12(x8)
M-A

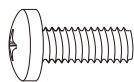


M5x12(x8)
M-B

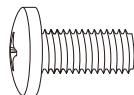


D5(x8)
M-C

1:1 SCALE



M4x12mm Screw
M-A



M5x12mm Screw
M-B

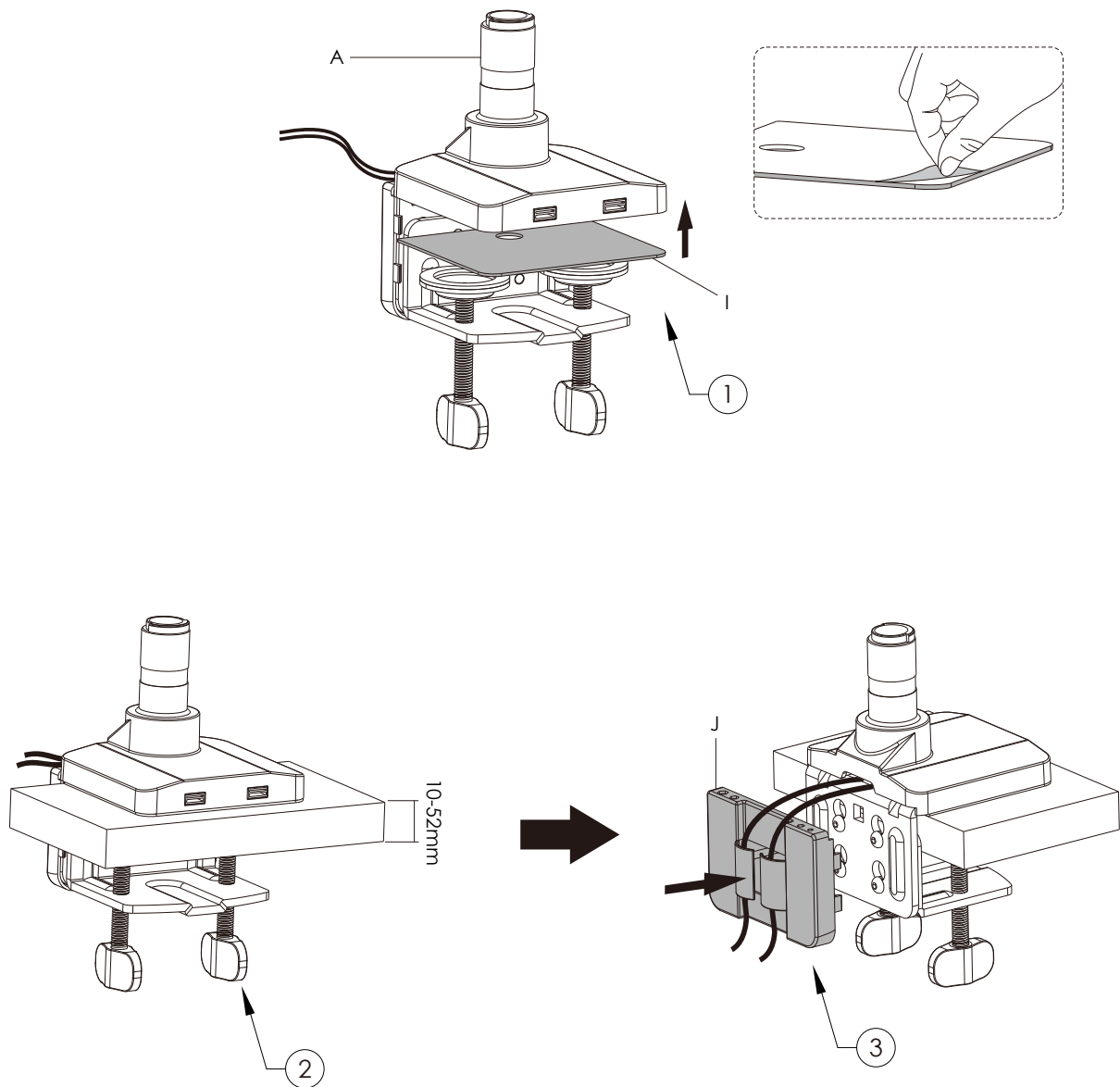


D5 Washer
M-C

To report any issues with this product, please contact our customer service department at (888) 552-5699.

MOBIO HD MONITOR ARM W/HAN, DUAL, DESK MOUNT, USB

1a TABLE EDGE MOUNTING

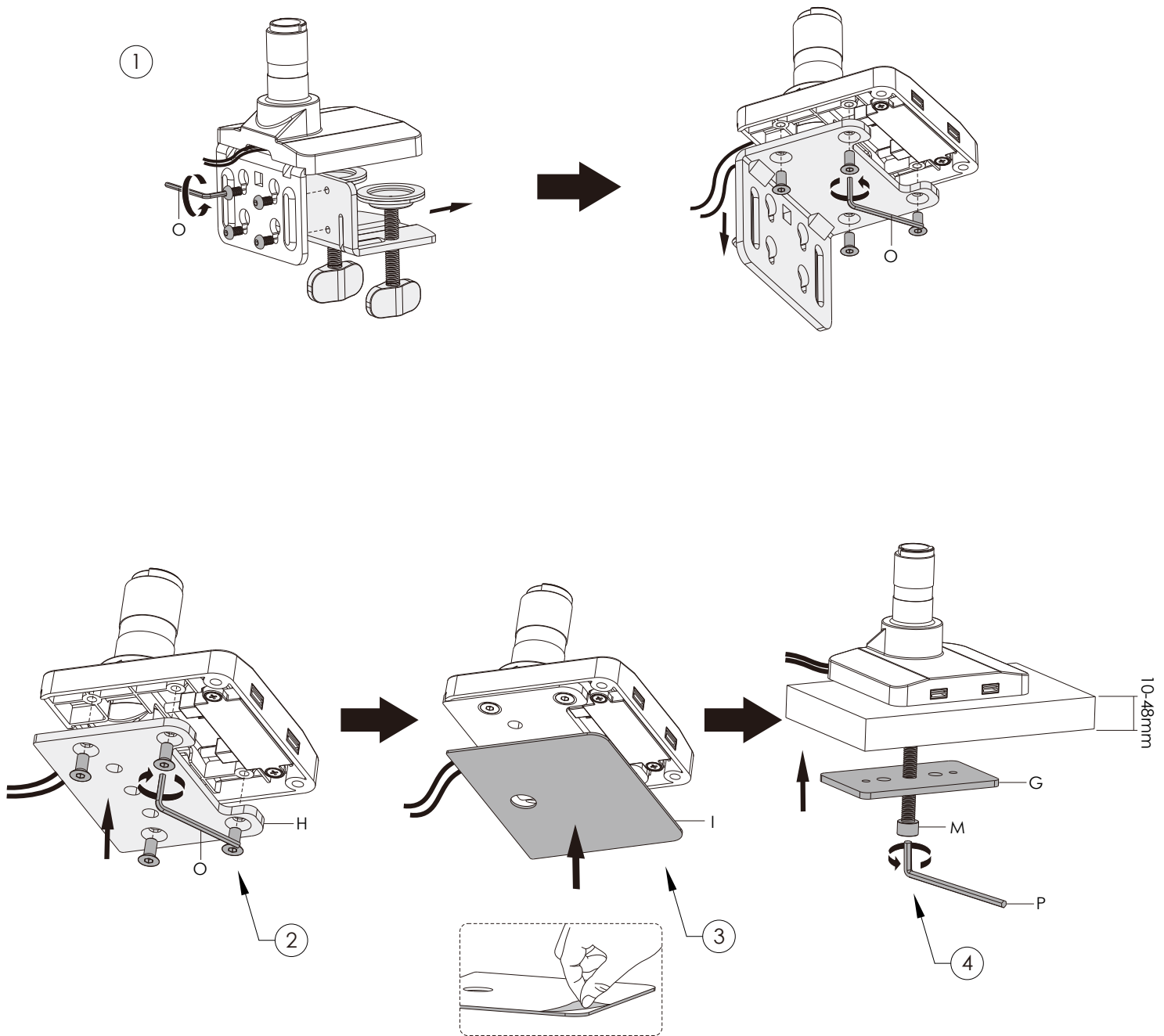


1. After removing the backing from the pad, place it on the underside of the base.
2. Place monitor arm base on surface and tighten the wing nuts until base is secure.
3. Tuck cables and attach cable management channel.

To report any issues with this product, please contact our customer service department at (888) 552-5699.

MOBIO HD MONITOR ARM W/HAN, DUAL, DESK MOUNT, USB

1b GROMMET MOUNTING

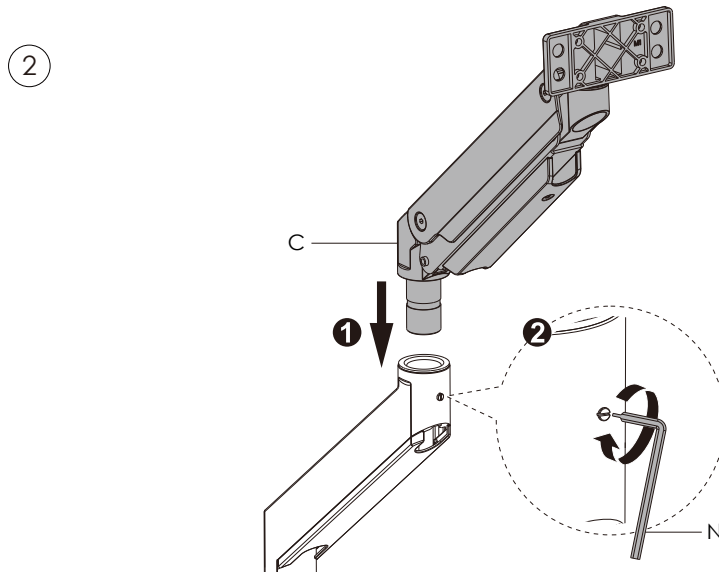
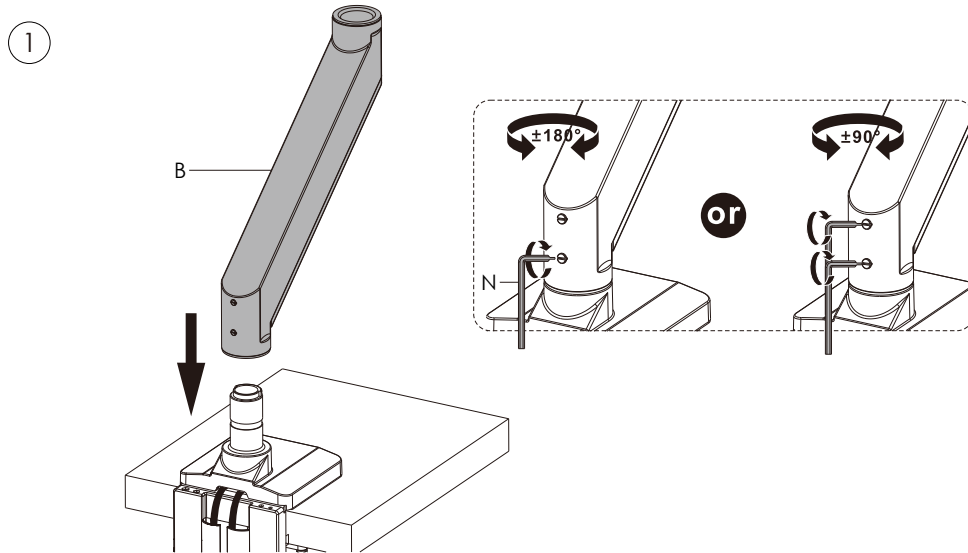


1. Using the provided Allen wrench, remove the clamp plate assembly held in place by 8 screws.
2. Attach the mounting plate using provided Allen wrench.
3. After removing the backing from the pad, place it on this mounting plate.
4. Using the provided Allen wrench tighten the screw and plate against surface.

To report any issues with this product, please contact our customer service department at (888) 552-5699.

MOBIO HD MONITOR ARM W/HAN, DUAL, DESK MOUNT, USB

2

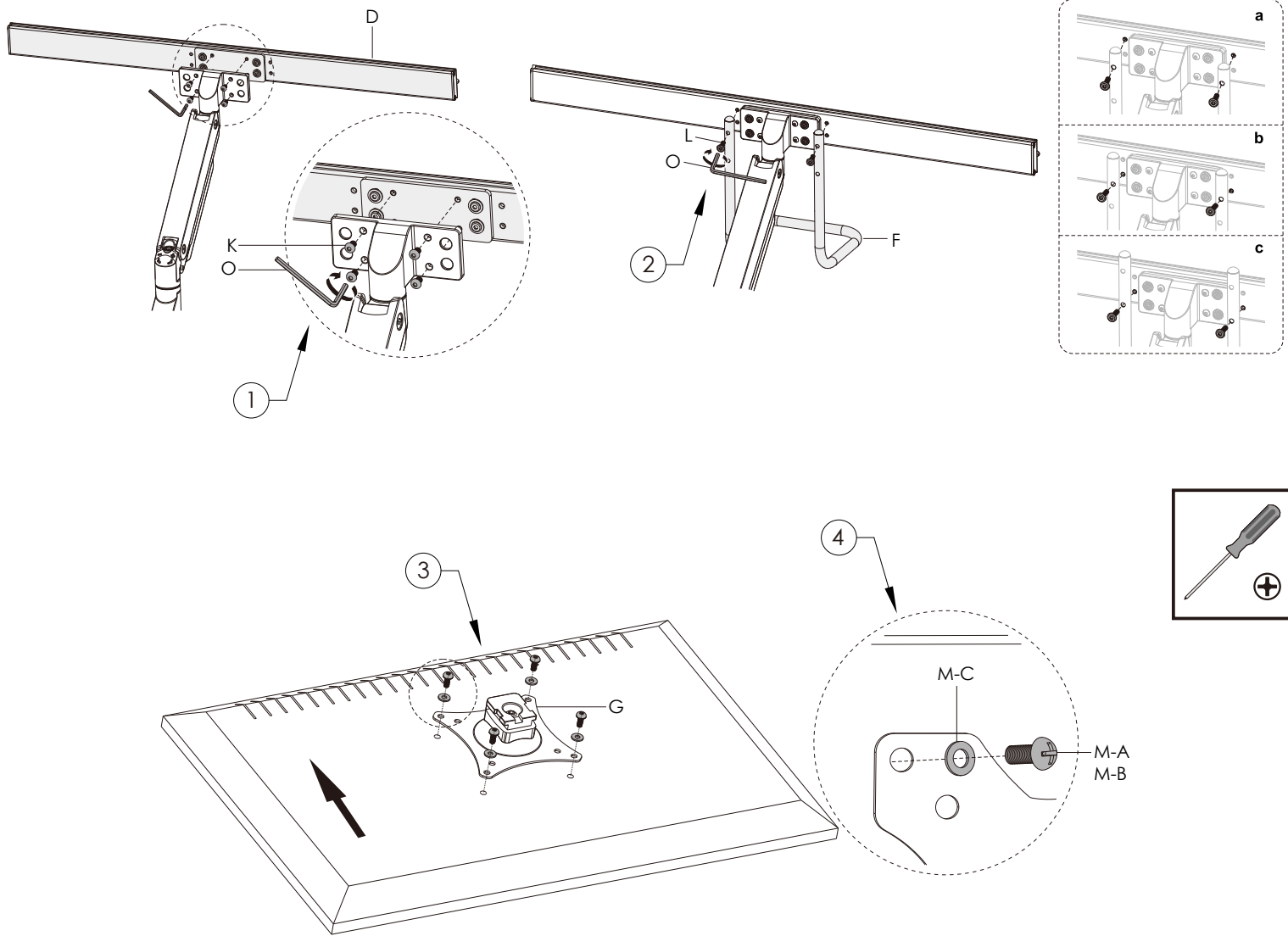


1. Place first section of monitor arm on base and tighten the set screws with the provided combination Allen/flathead tool as desired.
2. Place second section of monitor arm on base and tighten the set screw using the provided combination Allen/flathead tool.

To report any issues with this product, please contact our customer service department at (888) 552-5699.

MOBIO HD MONITOR ARM W/HAN, DUAL, DESK MOUNT, USB

3



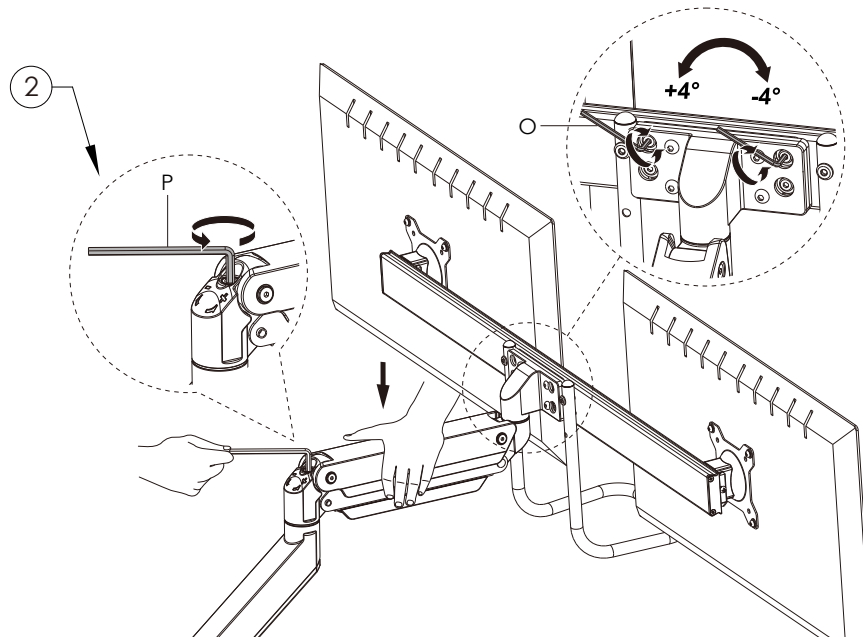
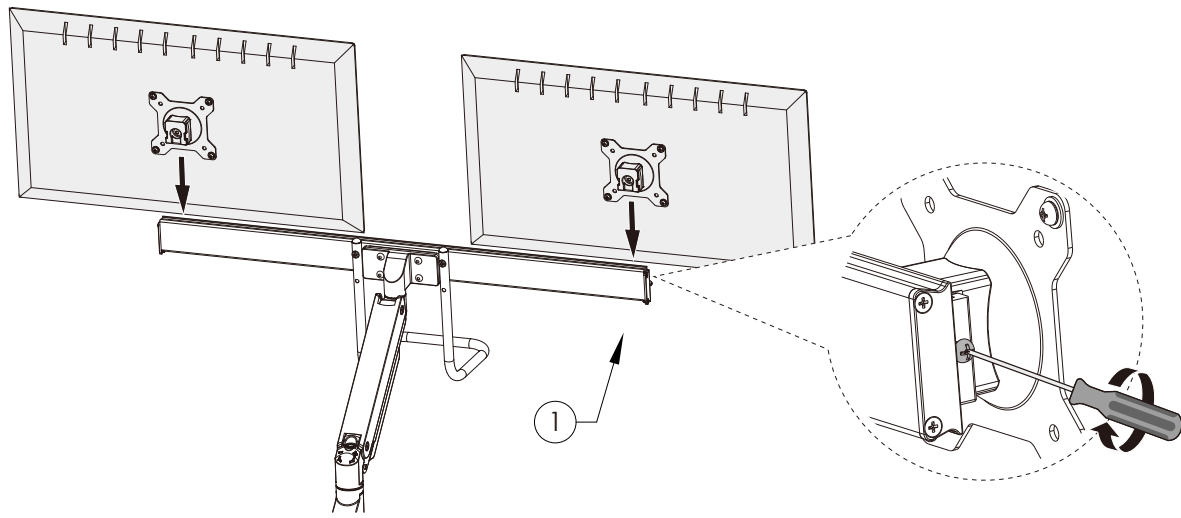
Note: Make sure to select correct length screw for monitor, failure to do so may cause damage to the monitor or cause monitor to dismount from plate.

1. Using the provided Allen wrench, attach the monitor mounting bar with 4 screws.
2. Attach the handle to the mounting bar in the desired position as shown, using 2 screws and the provided Allen wrench.
3. Place the monitor on a flat surface (possibly a table with a soft towel to prevent scratches to the monitor screen)
4. Align the mounting plate on monitor and tighten the screws using a Phillips screwdriver.

To report any issues with this product, please contact our customer service department at (888) 552-5699.

MOBIO HD MONITOR ARM W/HAN, DUAL, DESK MOUNT, USB

4

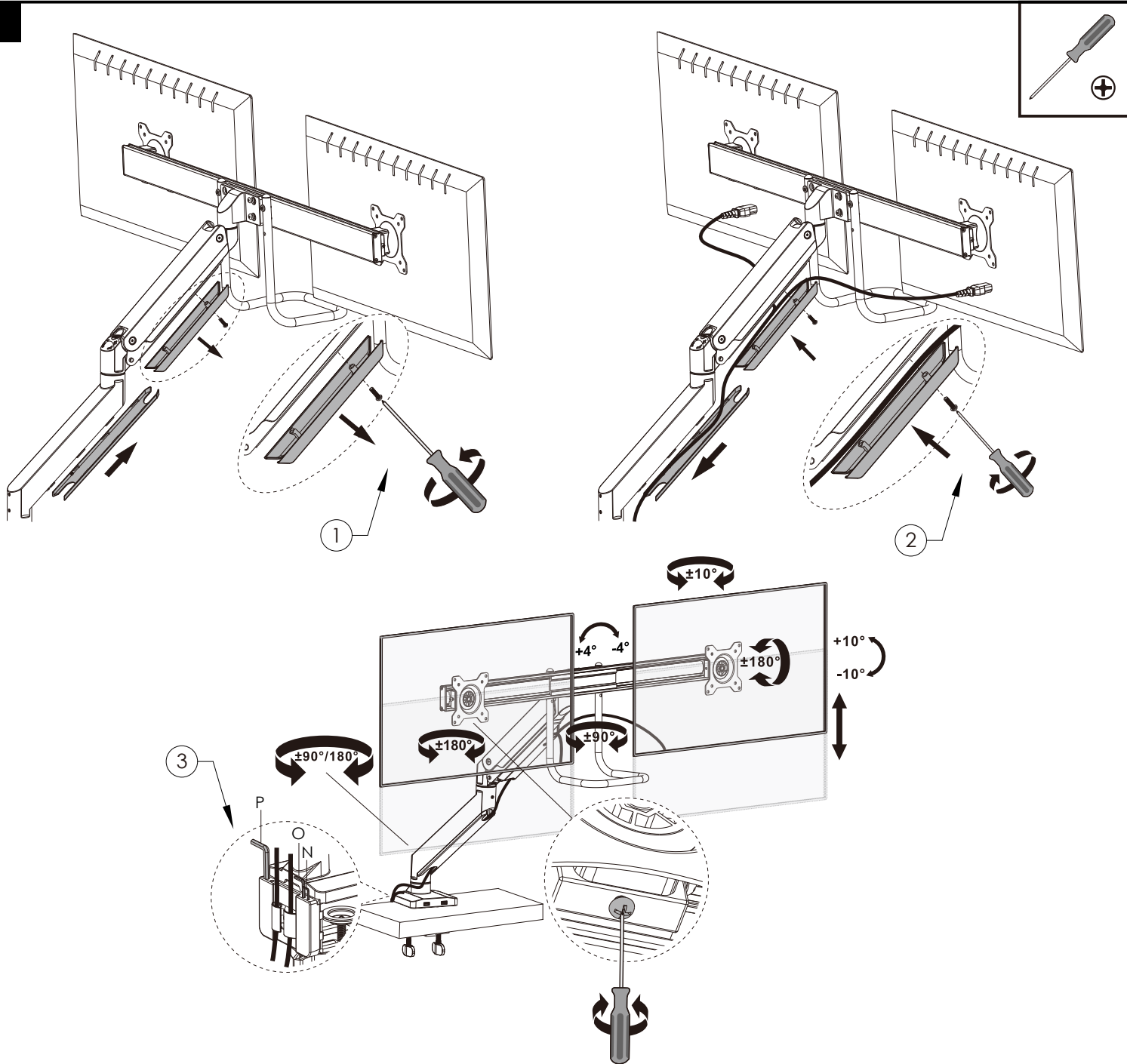


1. Using two hands, move monitor into position over end of arm. Slide the monitor into slot and tighten the Phillips screw.
2. Depending on size of monitor, you may have to adjust the arm tension. Modify arm tension as shown.

To report any issues with this product, please contact our customer service department at (888) 552-5699.

MOBIO HD MONITOR ARM W/HAN, DUAL, DESK MOUNT, USB

5



1. Remove the screws holding the cable management covers in place and remove the covers.
2. Tuck cables in covers and reattach being careful not to let the cables interfere with the screws.
3. Insert Allen wrenches for adjusting tension into slots on back cover.

To report any issues with this product, please contact our customer service department at (888) 552-5699.